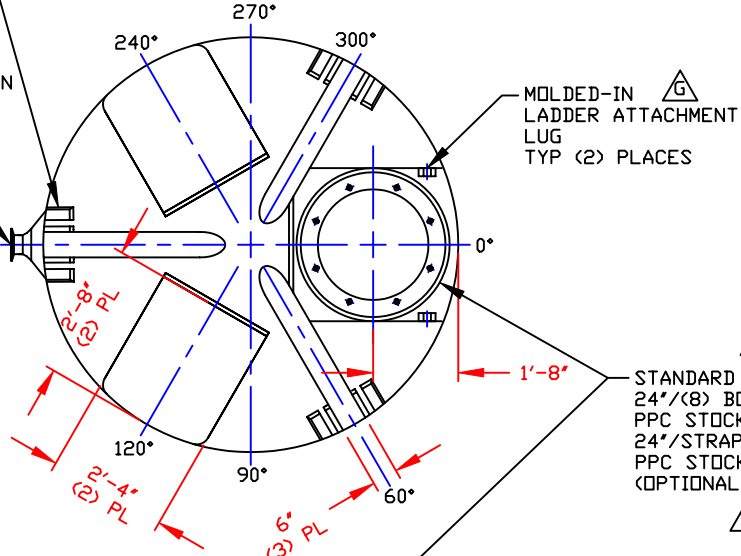


NON-CONTROLLED COPY  
 INFORMATION SUBJECT TO CHANGE WITHOUT NOTICE  
 VERIFY REV LEVEL OF PAPER COPY WITH REV LEVEL ON PPC WEB SITE

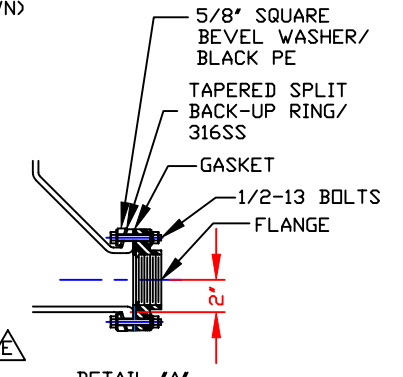
REV 'A' ADDED DIMENSION BY:JB 10/18/02 CKMBW  
 REV 'B' ADDED LIFTING LUGS & DETAIL BY:JB 1/20/03 CKWM  
 REV 'C' REVISED STOCK NUMBER BY:JB 1/20/03 CKWM  
 REV 'D' ADDED FITTING NOTE BY:JB 2/5/03 CKMBW  
 REV 'E' REVISED INFO STYLE BY:JB 5/5/03 CKWM  
 REV 'F' REVISED MANWAY COVER BY:JB 2/3/05 CKWM  
 REV 'G' ADDED LADDER ATTACHMENT LUGS BY:JB 2/3/05 CKWM

MOLDED-IN LIFTING LUG PAIRS (3) PLACES USE MINIMUM OF (1) LUG @ EACH LOCATION FOR LIFTING (SEE DETAIL)



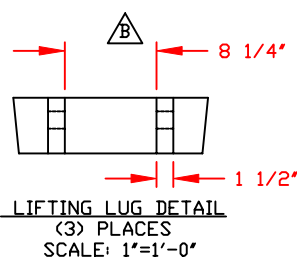
MOLDED-IN LADDER ATTACHMENT LUG TYP (2) PLACES

STANDARD COVER:  
 24"/(8) BOLT MANWAY COVER/PE (SHOWN)  
 PPC STOCK NO. 3218 OR  
 24"/STRAPPED MANWAY COVER/PE  
 PPC STOCK NO. 3217  
 (OPTIONAL 24" COVERS AVAILABLE)

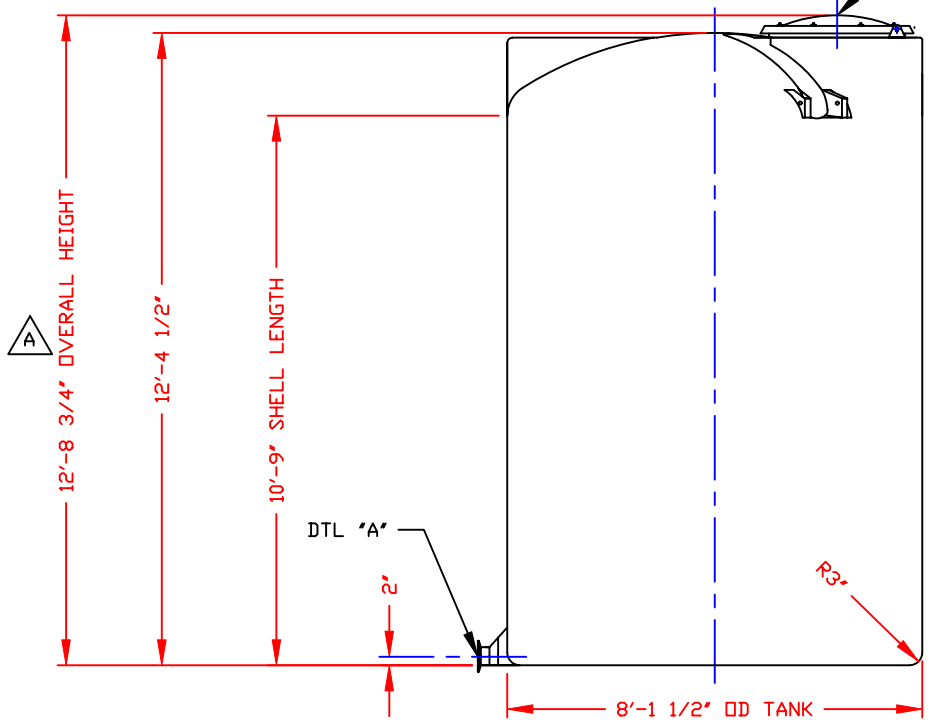


DETAIL 'A'  
 (INTEGRALLY MOLDED FLANGED OUTLET)  
 AVAILABLE IN 3" SIZE ONLY  
 SCALE: NONE

- NOTES
- THIS IS A COMPUTER GENERATED DWG. DO NOT REVISE BY HAND.
  - DIMENSIONS WILL VARY ±3% DUE VARIATIONS IN MULTIPLE MOLDS & CONDITIONS PREVALENT DURING MANUFACTURE & USAGE.
  - NO MOLDED IN GALLONAGE MARKERS THIS TANK.



NOTE:  
 MUST USE FLEXIBLE CONNECTIONS ALL LOWER SIDEWALL FITTINGS



CALCULATED CAPACITIES/VOLUME IN U.S. GALLONS		
DESIGN CAP	DOME VOL	TOTAL VOL
4083	327	4410

CONFIDENTIAL PROPERTY OF  
 POLY PROCESSING COMPANY  
 NOT FOR REPRINT OR USE  
 WITHOUT PERMISSION

NOZZLE SCHEDULE & ACCESSORIES					
SERVICE	MK	STOCK NO.	SIZE	FITTING	DEG ELEV

DWG TITLE			4050 GALLON IMFO TANK		
SCALE:	3/8"=1'-0"	 <b>POLY PROCESSING COMPANY</b> <small>Western Region          P.O. Box 60          805 South Ash Street          French Camp, CA 95821          (530) 962-9564          FAX (530) 962-6455</small>	DR:	MB WILKERSON	
DATE:	3/8/00		CK:	D. RECTOR	
SHEET			COMPUTER FILE	REV	
1 OF 1			11104050	G	