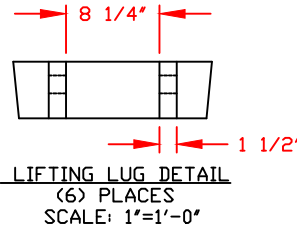
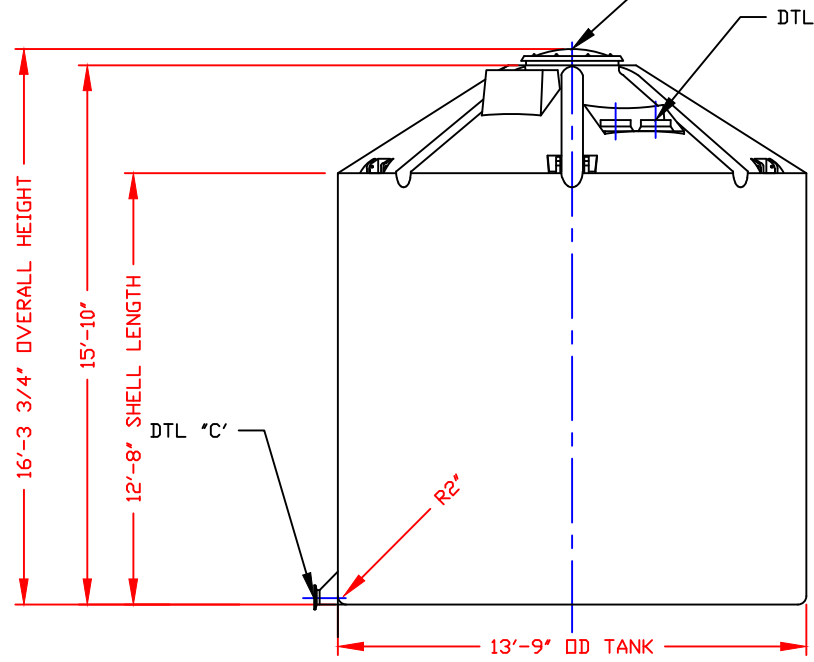
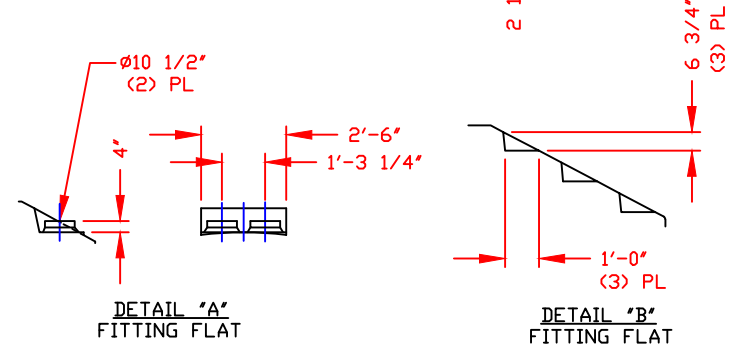
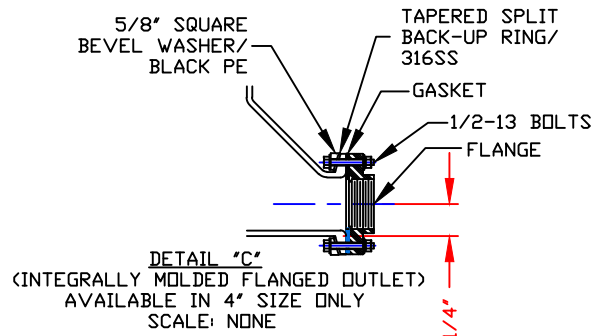
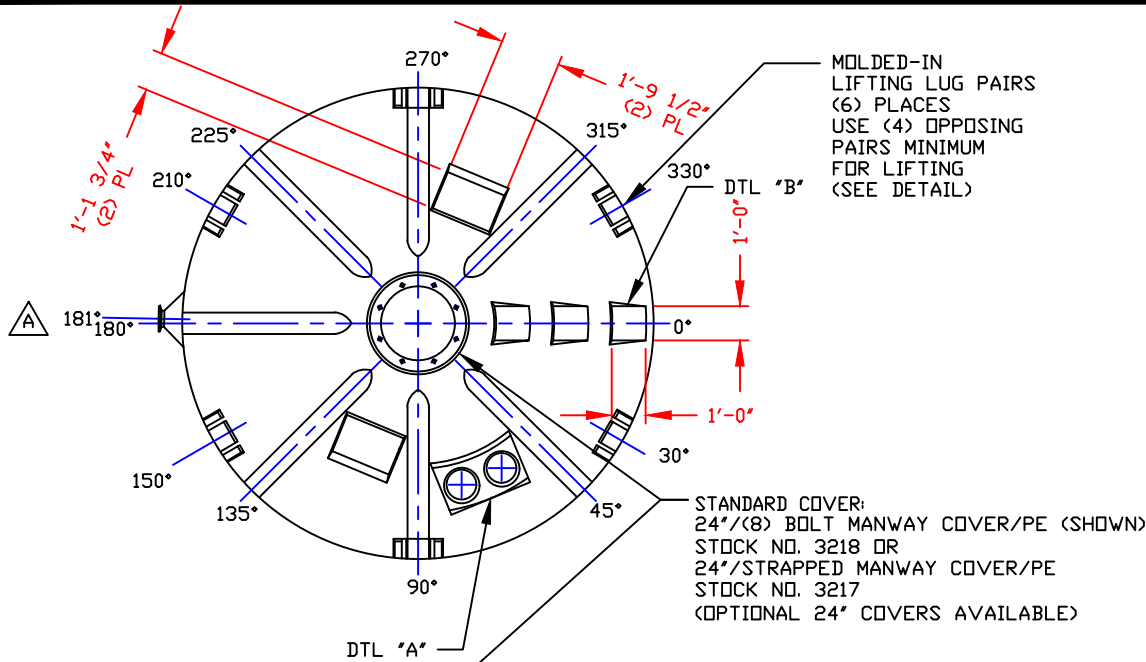


NON-CONTROLLED COPY  
 INFORMATION SUBJECT TO CHANGE WITHOUT NOTICE  
 VERIFY REV LEVEL OF PAPER COPY WITH REV LEVEL ON PPC WEB SITE



- NOTES**
1. THIS A COMPUTER GENERATED DWG. DO NOT REVISE BY HAND.
  2. DIMENSIONS WILL VARY ±3% DUE VARIATIONS IN MULTIPLE MOLDS & CONDITIONS PREVALENT DURING MANUFACTURE & USAGE.
  3. NO MOLDED IN GALLONAGE MARKERS THIS TANK.

CALCULATED CAPACITIES/ VOLUME IN U.S. GALLONS		
DESIGN CAP	DOME VOL	TOTAL VOL
13652	1330	14982

CONFIDENTIAL PROPERTY OF  
 POLY PROCESSING COMPANY  
 NOT FOR REPRINT OR USE  
 WITHOUT PERMISSION

**NOTE:**  
 MUST USE FLEXIBLE  
 CONNECTIONS ALL  
 LOWER SIDEWALL  
 FITTINGS

REV "A" IMFO RELOCATED BY:JB 10/17/17			
DWG TITLE 13650 GALLON IMFO TANK			
SCALE: 1/4"=1'-0"	 Western Region P.O. Box 80 8955 South Ash Street French Camp, CA 92526 (951) 982-4904 FAX (951) 982-0455	DR: B. DUMAS	
DATE: 12/6/07		 POLYPROCESSING SOLUTIONS. SIMPLIFIED.	CK: W. MANUEL
SHEET 1 OF 1		COMPUTER FILE 11113650	REV A