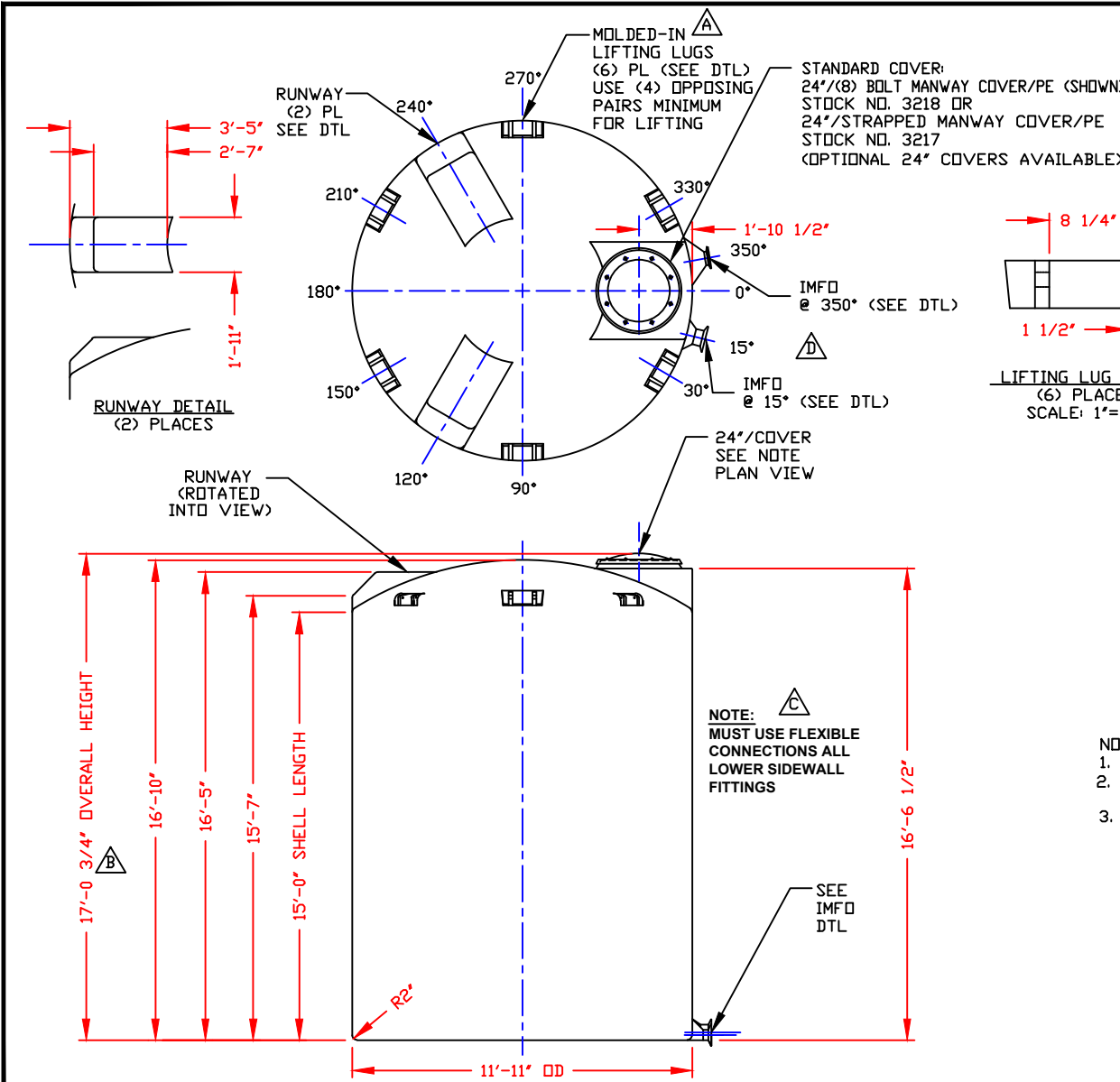
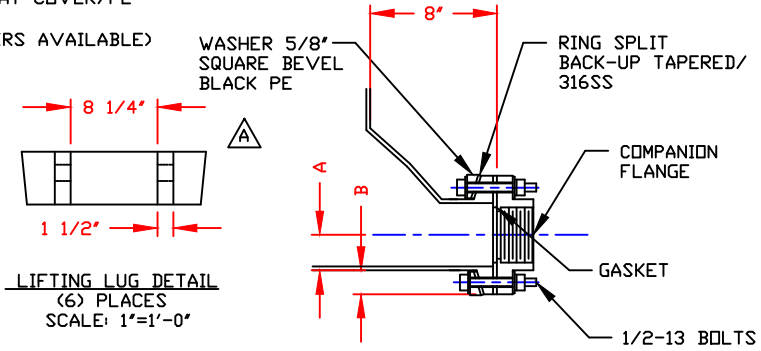


NON-CONTROLLED COPY
 INFORMATION SUBJECT TO CHANGE WITHOUT NOTICE
 VERIFY REV LEVEL OF PAPER COPY WITH REV LEVEL ON PPC WEB SITE



NOZZLE SCHEDULE & ACCESSORIES						
SERVICE	MK	STOCK NO.	SIZE	FITTING	DEG	ELEV



DIMENSION CHART		
PIPE SIZE	A	B
4"	2 1/4"	2 1/4"
6"	3 5/16"	2 3/16"

IMFO NOZZLE DETAIL
 (INTEGRALLY MOLDED FLANGED OUTLET)
 SCALE: NONE

NOTE: (2) IMFO NOZZLES MAY BE MOLDED IN TANK
 (1) @ 15° & (1) @ 350°
 4" IS STANDARD ON BOTH
 (1) 6" IS AVAILABLE @ EITHER LOCATION, BUT ONLY (1)
 IF IMFO LOCATED @ 350°, LOCATE LADDER @ 2.5'
 W/CURVED SIDEWALL BRACKET
 EITHER OR BOTH MAY BE BLOCKED OFF

- NOTES:
- THIS IS A COMPUTER GENERATED DWG. DO NOT REVISE BY HAND.
 - DIMENSIONS WILL VARY ±3% DUE TO VARIATIONS IN MULTIPLE MOLDS & CONDITIONS PREVALENT DURING MANUFACTURE & USAGE.
 - 5 1/2" WIDE MOLDED IN GALLONAGE MARKERS @ APPROX 23" UP TO 11200 GAL--AVOID WHEN PLACING FITTINGS.

CALCULATED CAPACITIES/ VOLUME IN U.S. GALLONS		
DESIGN CAP	DOME VOL	TOTAL VOL
12150	675	12825

CONFIDENTIAL PROPERTY OF
 POLY PROCESSING COMPANY
 NOT FOR REPRINT OR USE
 WITHOUT PERMISSION

- REV "E" REVISD IMFO NOTE BY:JB 4/8/13 CK:WM
- REV "D" REVISD IMFO LOCATIONS BY:MBW 2/7/06 CK:JB
- REV "C" ADDED FITTING NOTE BY:MBW 3/3/03 CK:JB
- REV "B" ADDED DIMENSION BY:JB 10/22/02 CK:MBW
- REV "A" ADDED LIFTING LUGS & DETAIL BY:JB 6/5/02 CK:WM

DWG TITLE		12150 GALLON DOUBLE IMFO TANK	
SCALE:	1/4"=1'-0"		DR:
DATE:	11/12/99		MB WILKERSON
		SHEET	COMPUTER FILE
		1 OF 1	1112150
			REV
			E