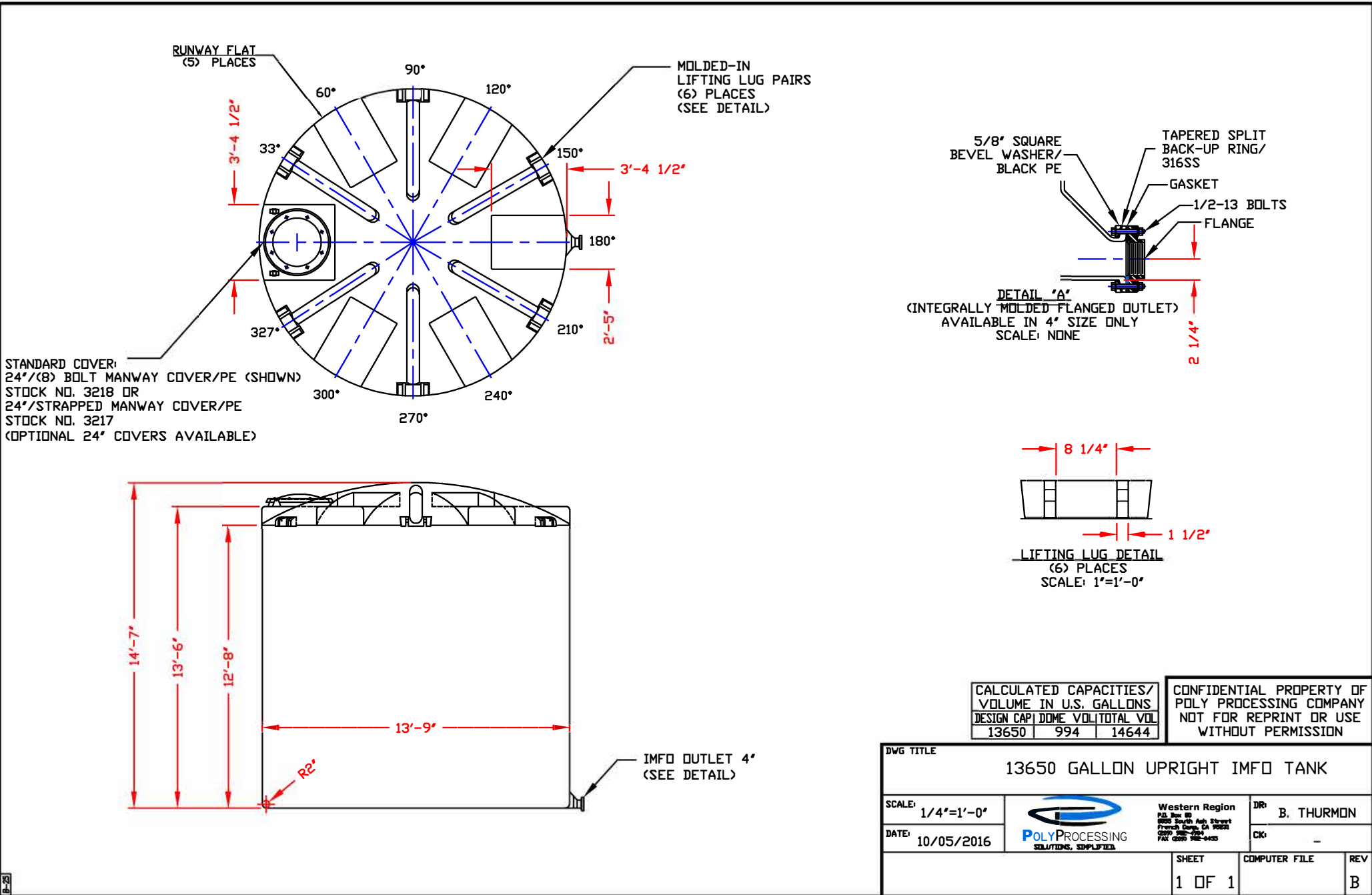


NON-CONTROLLED COPY  
 INFORMATION SUBJECT TO CHANGE WITHOUT NOTICE  
 VERIFY REV LEVEL OF PAPER COPY WITH REV LEVEL ON PPC WEB SITE



|  |          |           |
|--|----------|-----------|
| CALCULATED CAPACITIES/<br>VOLUME IN U.S. GALLONS |          |           |
| DESIGN CAP                                       | DOME VOL | TOTAL VOL |
| 13650  | 994      | 14644     |

CONFIDENTIAL PROPERTY OF  
 POLY PROCESSING COMPANY  
 NOT FOR REPRINT OR USE  
 WITHOUT PERMISSION

|   |   |                   |          |
|---|---|-------------------|----------|
| DWG TITLE<br>13650 GALLON UPRIGHT IMFD TANK |   |                   |          |
| SCALE:<br>1/4"=1'-0"                        | <br>Western Region<br>P.O. Box 88<br>8908 South Ash Street<br>French Camp, CA 95521<br>(530) 942-7244<br>FAX (530) 942-9425 | DR:<br>B. THURMON |          |
| DATE:<br>10/05/2016                         |   | CK:<br>-          |          |
| SHEET<br>1 OF 1                             |   | COMPUTER FILE     | REV<br>B |