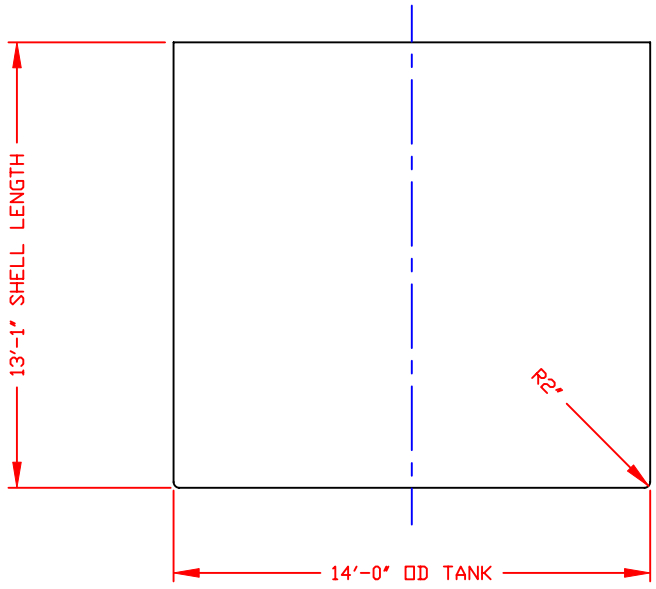
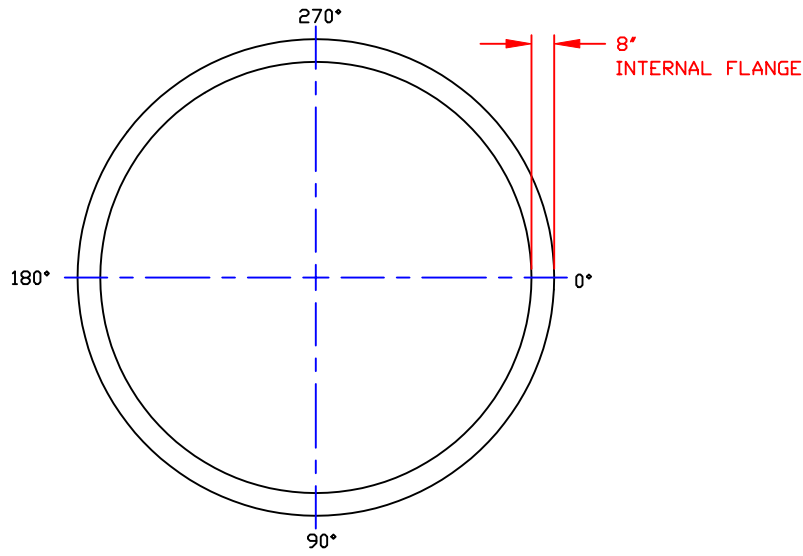


NON-CONTROLLED COPY  
 INFORMATION SUBJECT TO CHANGE WITHOUT NOTICE  
 COPY WILL NOT BE UPDATED

COPY ISSUED BY.....  
 COPY ISSUED ON.....



**NOTE:**   
**MUST USE FLEXIBLE CONNECTIONS ALL LOWER SIDEWALL FITTINGS**

NOZZLE SCHEDULE & ACCESSORIES					
SERVICE	MK	STOCK NO.	SIZE	FITTING	DEG ELEV

- NOTES**
1. THIS IS A COMPUTER GENERATED DWG. DO NOT REVISE BY HAND.
  2. DIMENSIONS WILL VARY ±3% DUE TO VARIATIONS IN MULTIPLE MOLDS & CONDITIONS PREVALENT DURING MANUFACTURE & USAGE.
  3. NO MOLDED IN GALLONAGE MARKERS THIS TANK.

CALCULATED CAPACITY  
 VOLUME IN U.S. GALLONS  
 DESIGN CAPACITY  
 14685

CONFIDENTIAL PROPERTY OF  
 POLY PROCESSING COMPANY  
 NOT FOR REPRINT OR USE  
 WITHOUT PERMISSION

DWG TITLE: 14650 GALLON OPEN TOP TANK

SCALE: 1/4"=1'-0"

DATE: 3/16/00

**POLY PROCESSING Company**

Western Region  
 P.O. Box 40  
 8833 South Ash Street  
 French Camp, CA 95231  
 520 982-4904  
 FAX 520 982-5455

DR: MB WILKERSON  
 CK: D. RECTOR

SHEET: 1 OF 1  
 COMPUTER FILE: 11514650  
 REV: A

REV "A" ADDED FITTING NOTE BY:JB 3/19/03 CK:MBW