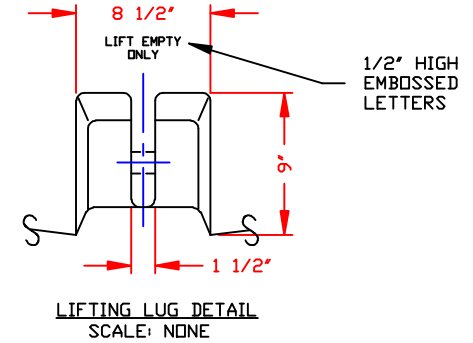
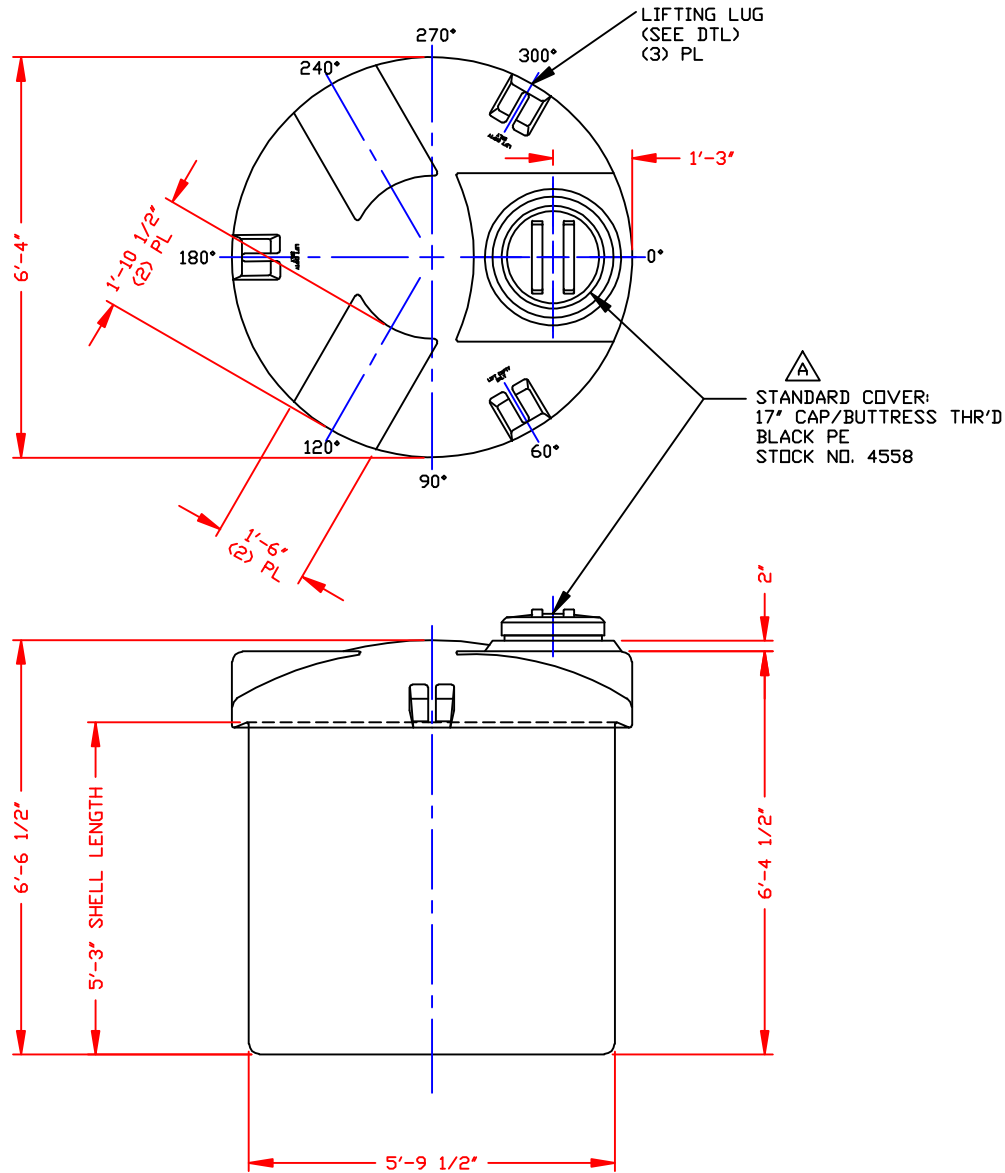


NON-CONTROLLED COPY
 INFORMATION SUBJECT TO CHANGE WITHOUT NOTICE
 VERIFY REV LEVEL OF PAPER COPY WITH REV LEVEL ON PPC WEB SITE



- NOTES:**
1. THIS IS A COMPUTER GENERATED DWG. DO NOT REVISE BY HAND.
 2. DIMENSIONS WILL VARY ±3% DUE TO VARIATIONS IN MULTIPLE MOLDS & CONDITIONS PREVALENT DURING MANUFACTURE & USAGE.
 3. FOR OUTER DTLS SEE COMPUTER FILE NO. 12101200, TITLE "1000 GALLON OUTER SAFE-TANK/1200 GALLON OPEN TOP TANK." FOR ASSEMBLY SEE COMPUTER FILE NO. 12001000A, TITLE "1000 GALLON SAFE-TANK ASSEMBLY."

CALCULATED CAPACITIES/ VOLUME IN U.S. GALLONS		
DESIGN CAP	DOME VOL	TOTAL VOL
1016	187	1203

CONFIDENTIAL PROPERTY OF
 POLY PROCESSING COMPANY
 NOT FOR REPRINT OR USE
 WITHOUT PERMISSION

DWG TITLE		1000 GALLON SAFE-TANK		
SCALE:	1/2"=1'-0"		Western Region P.O. Box 40 8925 South Ash Street French Camp, CA 95824 (925) 782-0794 FAX (925) 982-0435	DR: MB WILKERSON
DATE:	6/28/00		CK: J. BRANTLEY	
		SHEET	COMPUTER FILE	REV
		1 OF 1	12001000	A

REV "A" REVISED COVER BY:JB 7/27/09 CK:WM