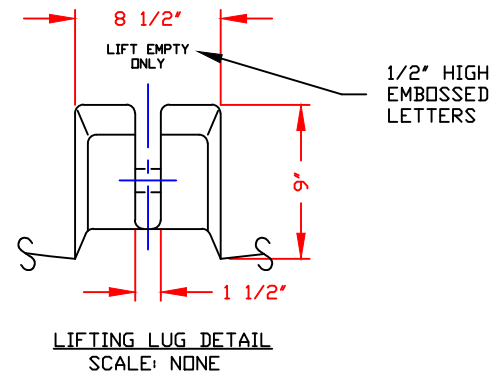
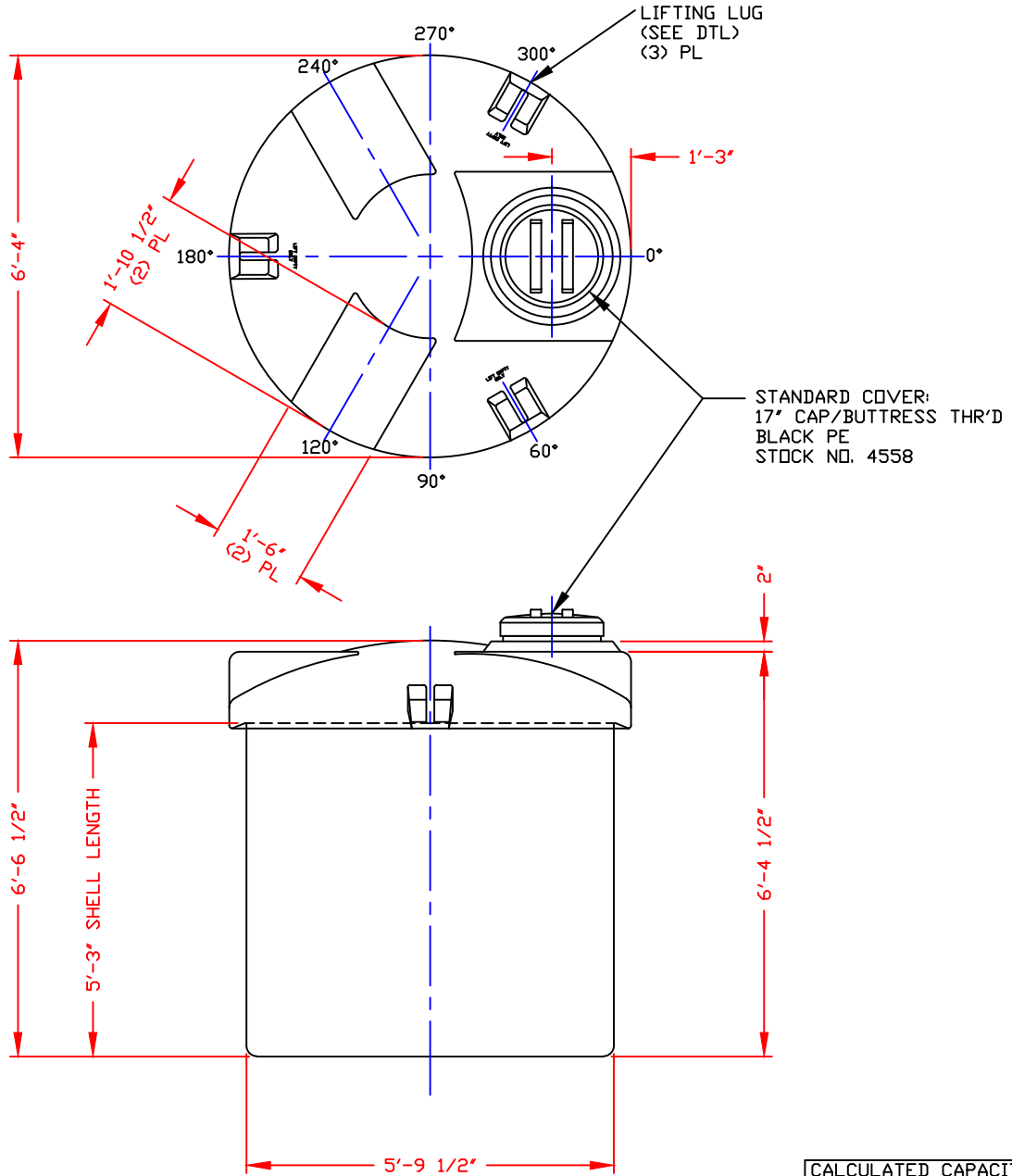


NON-CONTROLLED COPY
 INFORMATION SUBJECT TO CHANGE WITHOUT NOTICE
 VERIFY REV LEVEL OF PAPER COPY WITH REV LEVEL ON PPC WEB SITE



- NOTES:**
1. THIS IS A COMPUTER GENERATED DWG. DO NOT REVISE BY HAND.
 2. DIMENSIONS WILL VARY ±3% DUE TO VARIATIONS IN MULTIPLE MOLDS & CONDITIONS PREVALENT DURING MANUFACTURE & USAGE.
 3. FOR OUTER TANK DTLS SEE COMPUTER FILE NO. 12101200. TITLE "1015 GALLON OUTER SAFE-TANK/1200 GALLON OPEN TOP TANK." FOR ASSEMBLY SEE COMPUTER FILE NO. 12001015A, TITLE "1015 GALLON SAFE-TANK ASSEMBLY."

CONFIDENTIAL PROPERTY OF
 POLY PROCESSING COMPANY
 NOT FOR REPRINT OR USE
 WITHOUT PERMISSION

DWG TITLE		1015 GALLON SAFE-TANK		
SCALE:	1/2"=1'-0"	 POLYPROCESSING <small>SOLUTIONS. SIMPLIFIED.</small>	Western Region <small>P.O. Box 80 8825 South Ash Street French Camp, CA 95821 (209) 382-4994 FAX (209) 982-0435</small>	DR: J. BRANTLEY
DATE:	10/18/18		CK:	
		SHEET	COMPUTER FILE	REV
		1 OF 1	12001015	-

CALCULATED CAPACITIES/ VOLUME IN U.S. GALLONS		
DESIGN CAP	DOME VOL	TOTAL VOL
1016	187	1203