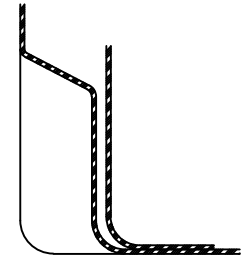
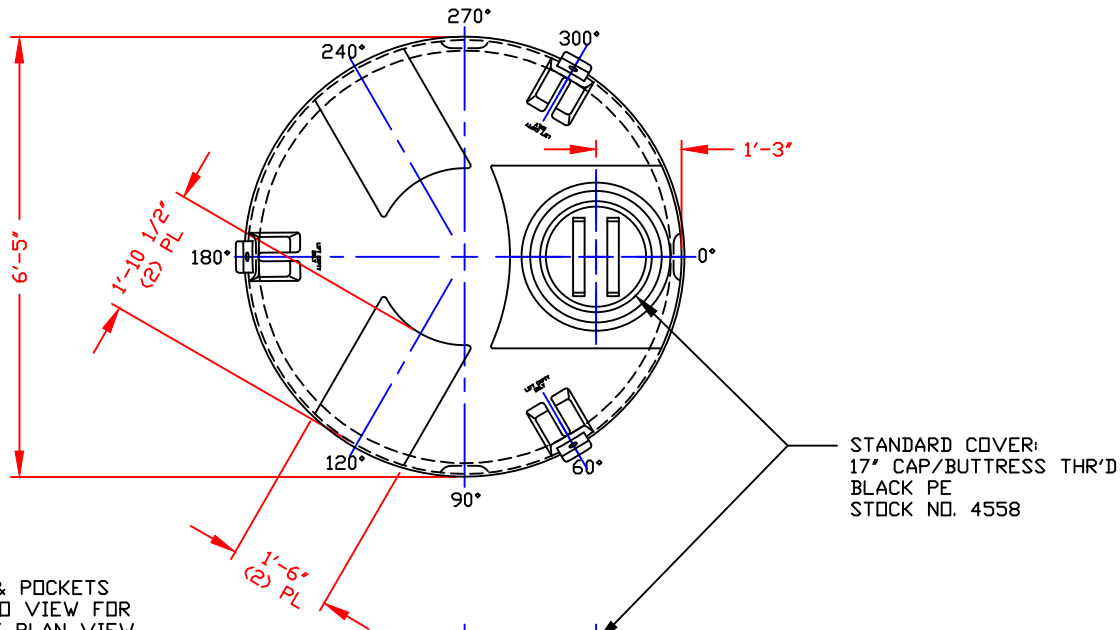
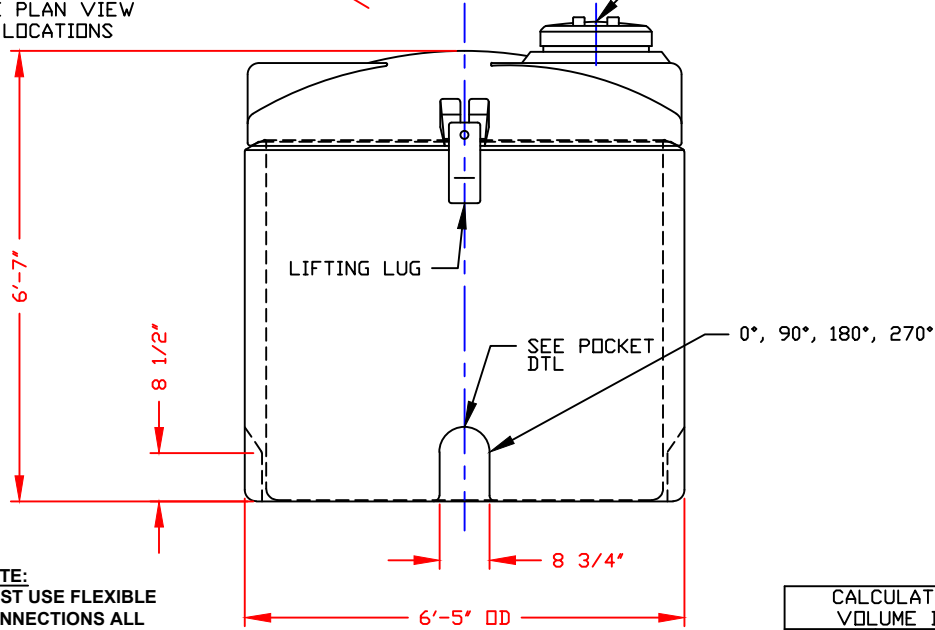


NON-CONTROLLED COPY  
 INFORMATION SUBJECT TO CHANGE WITHOUT NOTICE  
 VERIFY REV LEVEL OF PAPER COPY WITH REV LEVEL ON PPC WEB SITE



POCKET DETAIL  
SCALE: NONE

NOTE: LUGS & POCKETS  
 ROTATED INTO VIEW FOR  
 CLARITY. SEE PLAN VIEW  
 FOR DEGREE LOCATIONS




NOTE:  
 MUST USE FLEXIBLE  
 CONNECTIONS ALL  
 LOWER SIDEWALL  
 FITTINGS

- NOTES:
1. THIS IS A COMPUTER GENERATED DWG. DO NOT REVISE BY HAND.
  2. DIMENSIONS WILL VARY ±3% DUE TO VARIATIONS IN MULTIPLE MOLDS & CONDITIONS PREVALENT DURING MANUFACTURE & USAGE.
  3. FOR INNER TANK DTLS SEE COMPUTER FILE NO. 12001015. TITLE '1015 GALLON INNER SAFE-TANK.' FOR OUTER TANK DTLS SEE COMPUTER FILE NO. 12101200. TITLE '1015 GALLON OUTER SAFE-TANK/ 1200 GALLON OPEN TOP TANK.'

CONFIDENTIAL PROPERTY OF  
 POLY PROCESSING COMPANY  
 NOT FOR REPRINT OR USE  
 WITHOUT PERMISSION

CALCULATED CAPACITIES/ VOLUME IN U.S. GALLONS			
TANK	DESIGN CAP	DOME VOL	TOTAL VOL
INNER	1016	187	1203
OUTER	1215	N/A	1215

DWG TITLE			
1015 GALLON SAFE-TANK ASSEMBLY			
SCALE:	1/2"=1'-0"	 <b>POLYPROCESSING</b> SOLUTIONS. SIMPLIFIED.	DR:
DATE:	10/18/18		J. BRANTLEY
		Western Region P.O. Box 80 9823 South Ash Street French Camp, CA 95231 (209) 962-4994 FAX (209) 962-4455	CK:
		SHEET	COMPUTER FILE
		1 OF 1	12001015A
			-