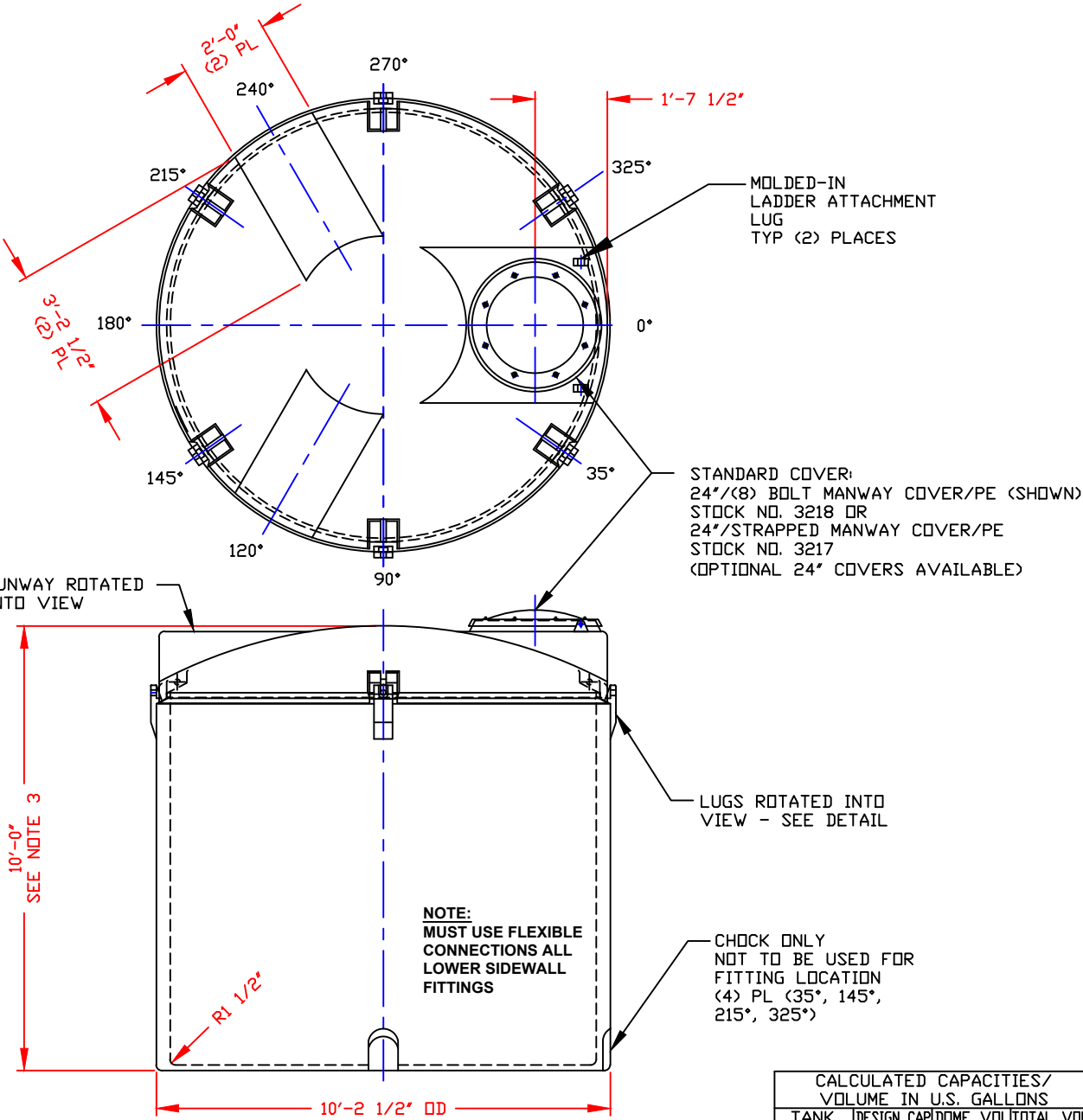
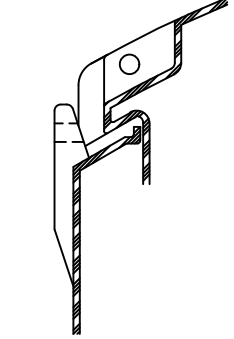
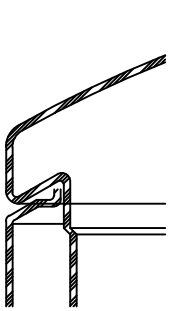


NON-CONTROLLED COPY
 INFORMATION SUBJECT TO CHANGE WITHOUT NOTICE
 VERIFY REV LEVEL OF PAPER COPY WITH REV LEVEL ON PPC WEB SITE



NOZZLE SCHEDULE & ACCESSORIES						
SERVICE	MK	STOCK NO.	SIZE	FITTING	DEG	ELEV



- NOTES:
- THIS IS A COMPUTER GENERATED DWG. DO NOT REVISE BY HAND.
 - DIMENSIONS WILL VARY ±3% DUE TO VARIATIONS IN MULTIPLE MOLDS & CONDITIONS PREVALENT DURING MANUFACTURE & USAGE.
 - OVERALL HEIGHT DIMENSION WILL VARY WITH THE PENETRATION OF THE INNER TANK INTO THE OUTER TANK.
 - NO MOLDED IN GALLONAGE MARKERS THESE TANKS.
 - FOR INNER TANK DTLS SEE COMPUTER FILE NO. 12004350, TITLE "4350 GALLON INNER SAFE-TANK." FOR OUTER TANK DTLS SEE COMPUTER FILE NO. 12104950, TITLE "4350 GALLON OUTER SAFE-TANK/4950 GALLON OPEN TOP TANK."

CONFIDENTIAL PROPERTY OF
 POLY PROCESSING COMPANY
 NOT FOR REPRINT OR USE
 WITHOUT PERMISSION

CALCULATED CAPACITIES/ VOLUME IN U.S. GALLONS			
TANK	DESIGN CAP	DOME VOL	TOTAL VOL
INNER	4385	437	4822
OUTER	4994	N/A	4994

DWG TITLE 4350 GALLON SAFE-TANK ASSEMBLY			
SCALE: 3/8"=1'-0"	 POLYPROCESSING SOLUTIONS, SIMPLIFIED.	Western Region P.O. Box 98 5055 South Ash Street French Camp, CA 95231 CITY: 982-9944 FAX: (209) 982-0455	DR: J. BRANTLEY
DATE: 10/18/18		CK:	
SHEET 1 OF 1		COMPUTER FILE 12004350A	REV -