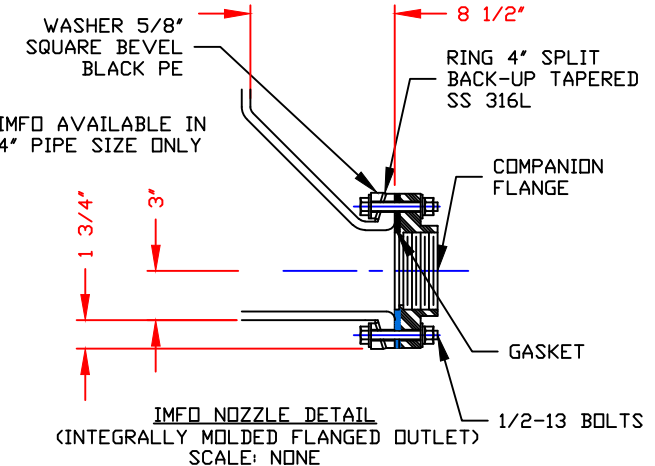
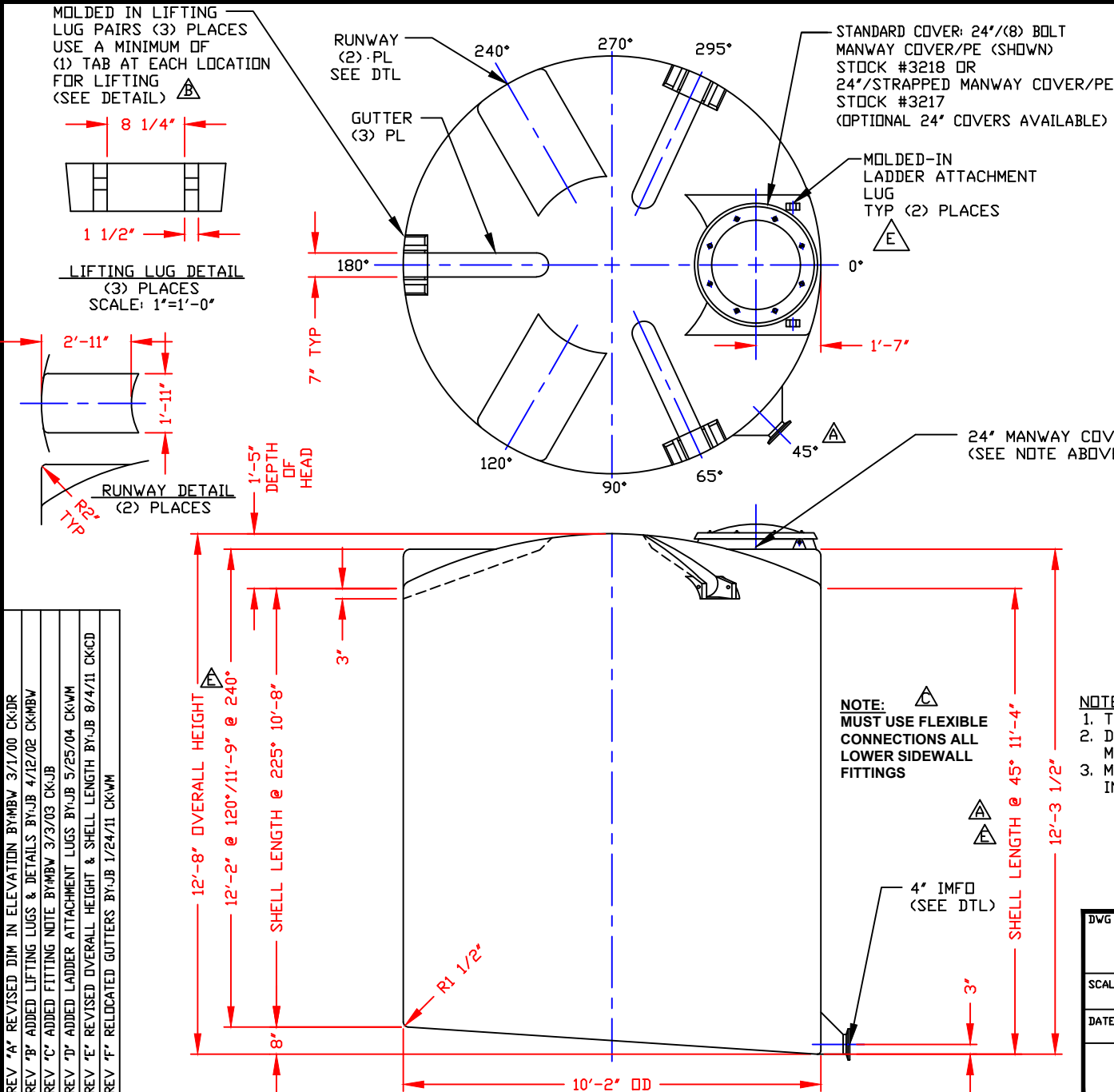


NON-CONTROLLED COPY  
 INFORMATION SUBJECT TO CHANGE WITHOUT NOTICE  
 VERIFY REV LEVEL OF PAPER COPY WITH REV LEVEL ON PPC WEB SITE



**NOTE:  $\Delta$  MUST USE FLEXIBLE CONNECTIONS ALL LOWER SIDEWALL FITTINGS**

- NOTES**
1. THIS IS A COMPUTER GENERATED DWG. DO NOT REVISE BY HAND.
  2. DIMENSIONS WILL VARY  $\pm 3\%$  DUE TO VARIATIONS IN MULTIPLE MOLDS & CONDITIONS PREVALENT DURING MANUFACTURE & USAGE.
  3. MOLDED IN GALLONAGE MARKERS @ APPROX 60" IN 200 GALLON INCREMENTS UP TO 5800 GALLONS.

CALCULATED CAPACITIES/ VOLUME IN U.S. GALLONS		
DESIGN CAP	DOME VOL	TOTAL VOL
6388	419	6807

**CONFIDENTIAL PROPERTY OF POLY PROCESSING COMPANY NOT FOR REPRINT OR USE WITHOUT PERMISSION**

- REV 'A' REVISED DIM IN ELEVATION BY MBW 3/1/00 CK4DR
- REV 'B' ADDED LIFTING LUGS & DETAILS BY JB 4/12/02 CKMBW
- REV 'C' ADDED FITTING NOTE BY MBW 3/3/03 CKJJB
- REV 'D' ADDED LADDER ATTACHMENT LUGS BY JB 5/25/04 CKVM
- REV 'E' REVISED OVERALL HEIGHT & SHELL LENGTH BY JB 8/4/11 CK4CD
- REV 'F' RELOCATED GUTTERS BY JB 1/24/11 CKVM

DWG TITLE			6350 GALLON SLOPE BOTTOM IMFO TANK		
SCALE:	3/8"=1'-0"		Central Region		DR:
DATE:	11/15/99		P.O. Box 459 (71503) 2801 Dal Starvington Rd. Monroe, LA 71203 CITY 343-7563 FAX (504) 343-8795		MB WILKERSON
SHEET			COMPUTER FILE	REV	
1 OF 1			1206350	F	