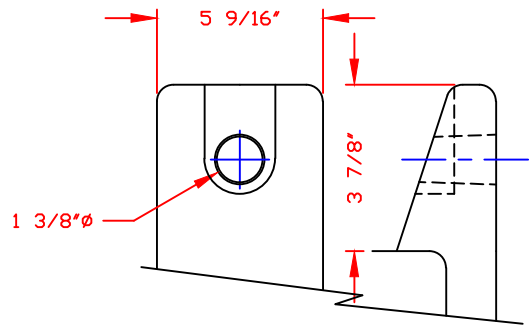
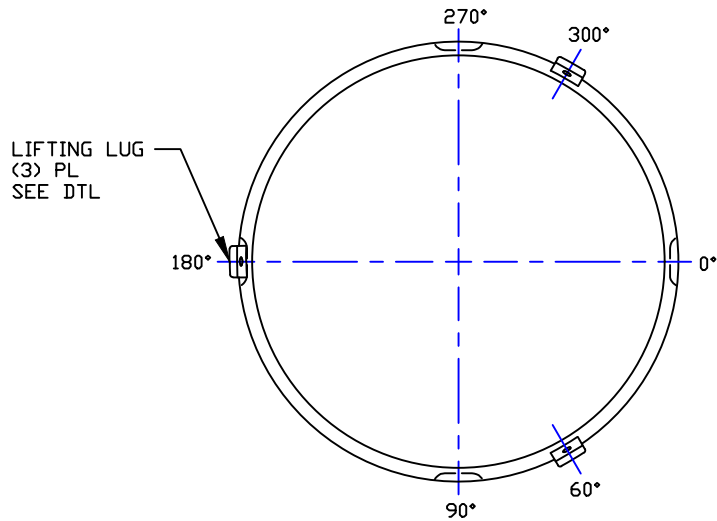


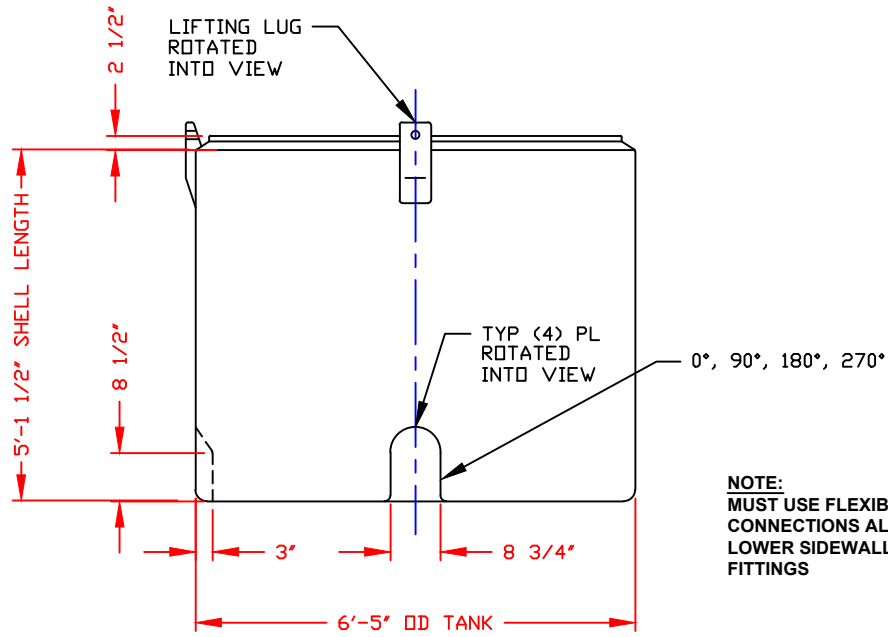
NON-CONTROLLED COPY
 INFORMATION SUBJECT TO CHANGE WITHOUT NOTICE
 COPY WILL NOT BE UPDATED

COPY ISSUED BY _____
 COPY ISSUED ON _____



LUG DETAIL
 SCALE: NONE

- NOTES:
1. THIS IS A COMPUTER GENERATED DWG. DO NOT REVISE BY HAND.
 2. DIMENSIONS WILL VARY $\pm 3\%$ DUE TO VARIATIONS IN MULTIPLE MOLDS & CONDITIONS PREVALENT DURING MANUFACTURE & USAGE.
 3. FOR INNER TANK DTLS SEE COMPUTER FILE NO. 12001015, TITLE "1015 GALLON INNER SAFE-TANK," FOR ASSEMBLY SEE COMPUTER FILE NO. 12001015A, TITLE "1015 GALLON SAFE-TANK ASSEMBLY."



NOTE:
 MUST USE FLEXIBLE CONNECTIONS ALL LOWER SIDEWALL FITTINGS

CONFIDENTIAL PROPERTY OF
 POLY PROCESSING COMPANY
 NOT FOR REPRINT OR USE
 WITHOUT PERMISSION

CALCULATED CAPACITY VOLUME IN U.S. GALLONS
DESIGN CAPACITY
1215

DWG TITLE			
1015 GALLON OUTER SAFE-TANK/ 1200 GALLON OPEN TOP TANK			
SCALE: 1/2"=1'-0"		Western Region P.O. Box 80 8035 South Ash Street French Camp, CA 92531 (951) 962-4994 FAX (951) 962-9425	DR: J. BRANTLEY
DATE: 10/18/18		CK:	
SHEET		COMPUTER FILE	REV
1 OF 1		12101200	-