

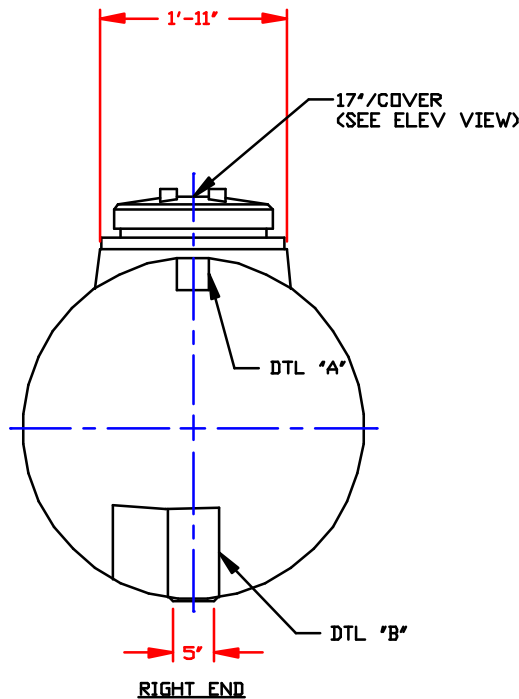
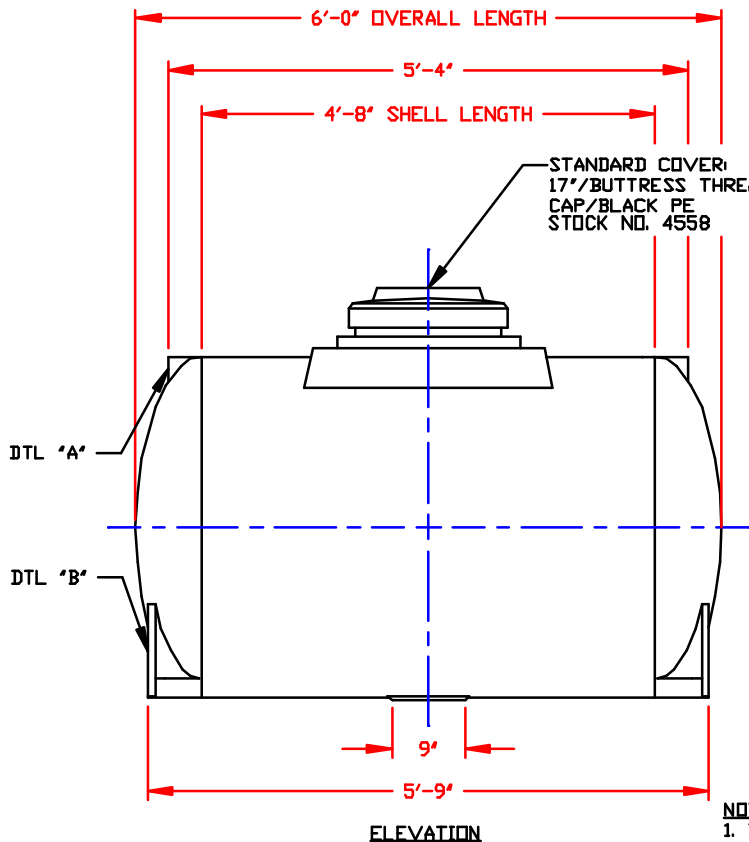
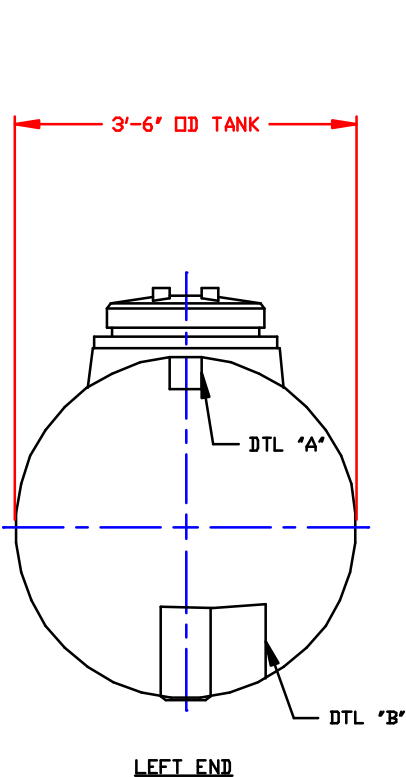
NON-CONTROLLED COPY

INFORMATION SUBJECT TO CHANGE WITHOUT NOTICE

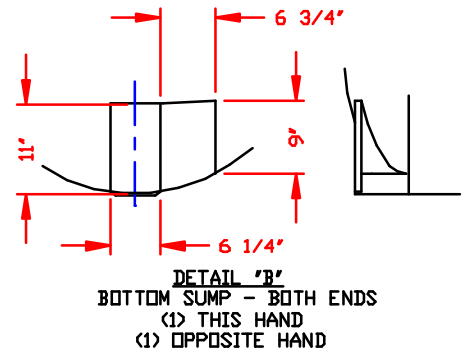
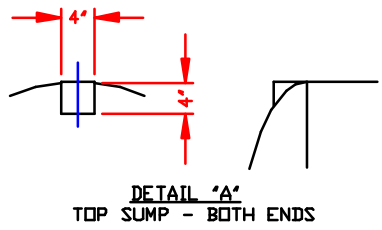
COPY WILL NOT BE UPDATED

COPY ISSUED BY.....

COPY ISSUED ON.....



- NOTES**
1. THIS IS A COMPUTER GENERATED DWG. DO NOT REVISE BY HAND.
  2. DIMENSIONS MAY VARY ±3% DUE TO VARIATIONS IN MULTIPLE MOLDS & CONDITIONS PREVALENT DURING MANUFACTURE & USAGE.
  3. MOLDED IN GALLONAGE MARKERS IN BOTH ENDS STARTING @ 50 GAL UP TO 350 GAL IN 50 GAL INCREMENTS. AVOID WHEN PLACING FITTINGS.



CALCULATED CAPACITY	VOLUME IN U.S. GALLONS
DESIGN CAPACITY	408

CONFIDENTIAL PROPERTY OF  
POLY PROCESSING COMPANY  
NOT FOR REPRINT OR USE  
WITHOUT PERMISSION

DWG TITLE			
400 GALLON HORIZONTAL TANK			
SCALE: 3/4"=1'-0"	<b>POLY PROCESSING</b> Company	Welding Range P.O. Box 88 8900 South Ash Street Las Vegas, NV 89121 702-505-9900	DR: MB WILKERSON
DATE: 4/5/00		CK: J. RECTOR	
SHEET		COMPUTER FILE	REV
1 OF 1		13000400	-