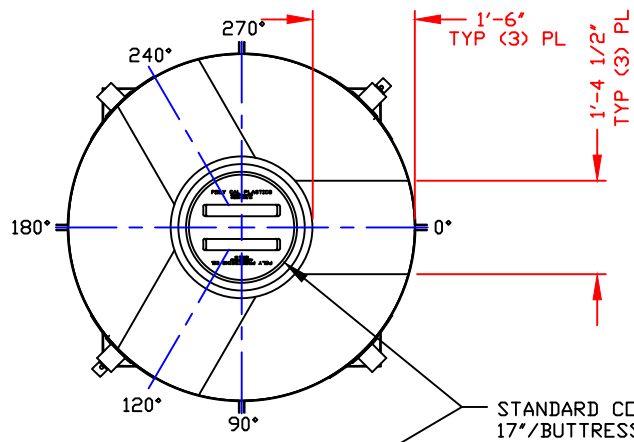
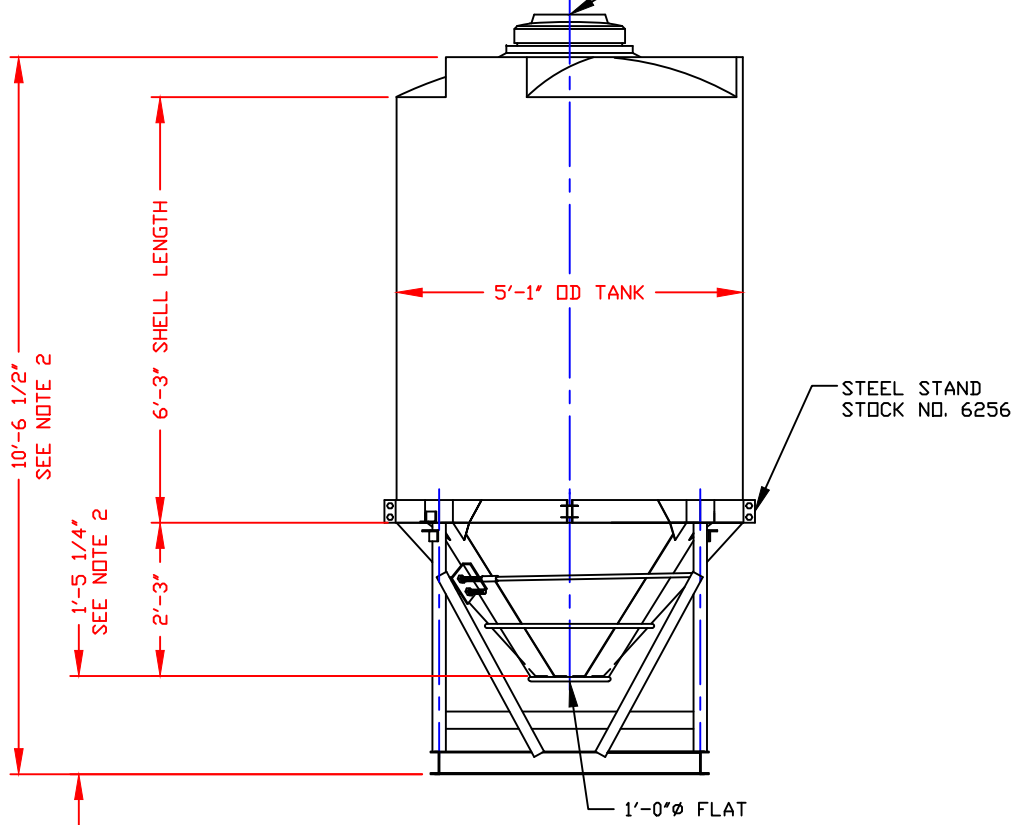


NON-CONTROLLED COPY
 INFORMATION SUBJECT TO CHANGE WITHOUT NOTICE
 VERIFY REV LEVEL OF PAPER COPY WITH REV LEVEL ON PPC WEB SITE



STANDARD COVER:
 17" BUTTRESS THREAD
 CAP/BLACK PE
 STOCK NO. 4558



STEEL STAND
 STOCK NO. 6256

1'-0" ϕ FLAT


NOZZLE SCHEDULE & ACCESSORIES					
SERVICE	MK	STOCK NO.	SIZE	FITTING	DEG ELEV

NOTES

- THIS IS A COMPUTER GENERATED DWG. DO NOT REVISE BY HAND.
- DIMENSIONS WILL VARY $\pm 3\%$ DUE TO VARIATIONS IN MULTIPLE MOLDS & CONDITIONS PREVALENT DURING MANUFACTURE & USAGE. WHEN FILLED, TANK MAY SETTLE IN STAND CAUSING VARIATIONS IN BOTTOM CLEARANCE & OVERALL HEIGHT DIMENSIONS.
- NO MOLDED IN GALLONAGE MARKERS THIS TANK.

CALCULATED CAPACITIES/ VOLUME IN U.S. GALLONS		
DESIGN CAP	DOME VOL	TOTAL VOL
1071	155	1226

CONFIDENTIAL PROPERTY OF
 POLY PROCESSING COMPANY
 NOT FOR REPRINT OR USE
 WITHOUT PERMISSION

DWG TITLE			
1070 GALLON 48° CONE BOTTOM TANK W/STEEL STAND			
SCALE:	1/2"=1'-0"	 Western Region P.O. Box 88 8035 South Ash Street French Creek, GA 30531 (209) 982-4304 FAX (209) 982-0455	DR:
DATE:	5/8/00		CK:
SHEET		COMPUTER FILE	REV
1 OF 1		14001070S	-