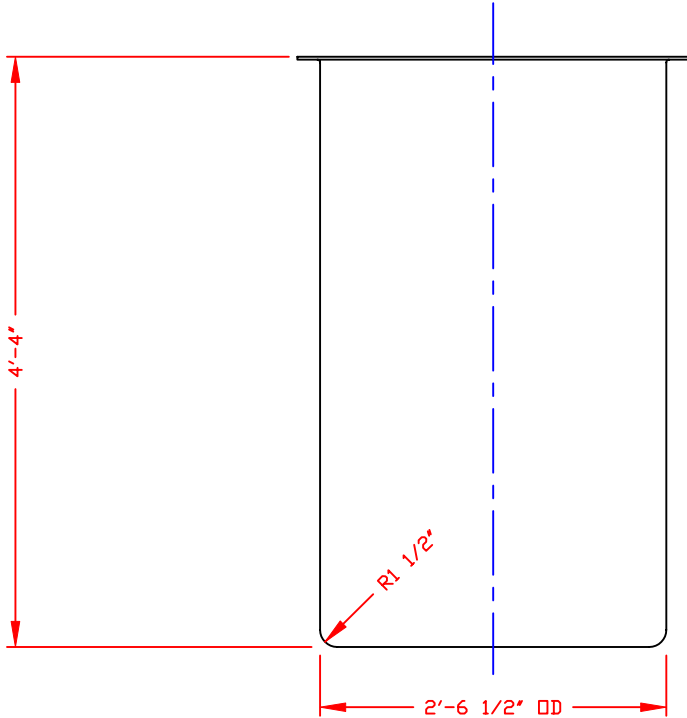
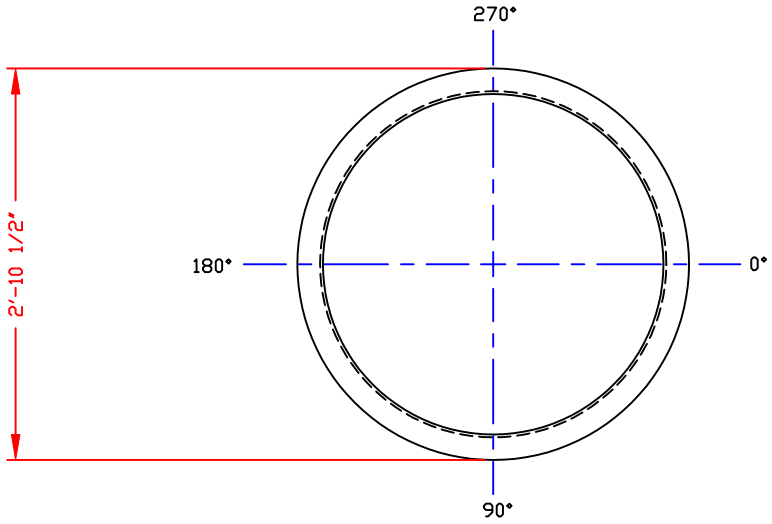


NON-CONTROLLED COPY  
 INFORMATION SUBJECT TO CHANGE WITHOUT NOTICE  
 COPY WILL NOT BE UPDATED

COPY ISSUED BY \_\_\_\_\_  
 COPY ISSUED ON \_\_\_\_\_

NOZZLE SCHEDULE & ACCESSORIES					
SERVICE	MK	STOCK NO.	SIZE	FITTING	DEG ELEV




**NOTE:**  **MUST USE FLEXIBLE CONNECTIONS ALL LOWER SIDEWALL FITTINGS**

- NOTES**
1. THIS IS A COMPUTER GENERATED DWG. DO NOT REVISE BY HAND.
  2. DIMENSIONS WILL VARY ±3% DUE TO VARIATIONS IN MULTIPLE MOLDS & CONDITIONS PREVALENT DURING MANUFACTURE & USAGE.
  3. NO GALLONAGE MARKERS THIS TANK.

CALCULATED CAPACITY	VOLUME IN U.S. GALLONS
DESIGN CAPACITY	163

CONFIDENTIAL PROPERTY OF  
 POLY PROCESSING COMPANY  
 NOT FOR REPRINT OR USE  
 WITHOUT PERMISSION

DWG TITLE				160 GALLON OPEN TOP TANK			
SCALE:	1"=1'-0"		Central Region	DR:	MB WILKERSON		
DATE:	0-0-00		P.O. Box 4150 (71211) 2281 1st Stevington Rd. Morgan, LA 71250 CNP 343-7565 FAX CNP 343-6795	CK:	J. BRANTLEY		
			SHEET	COMPUTER FILE	REV		
			1 OF 1	1500160	A		