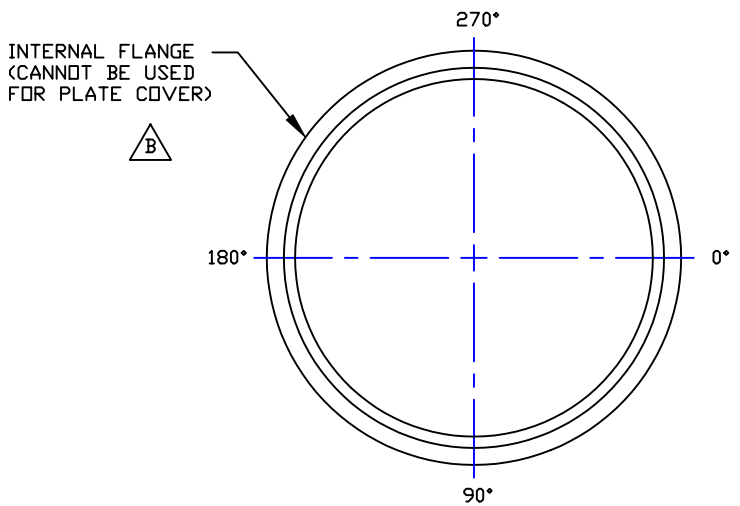
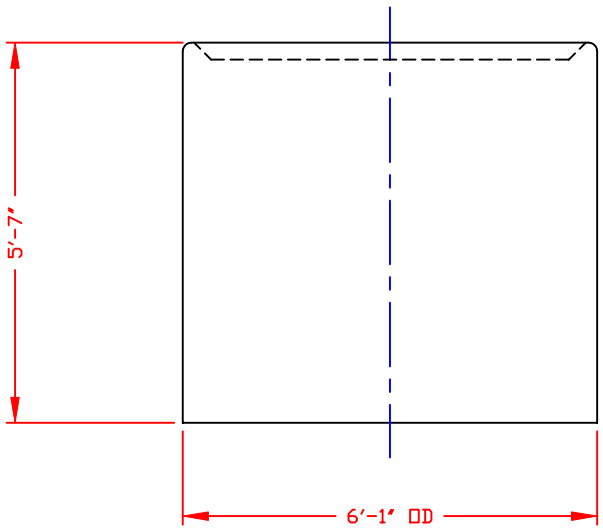


NON-CONTROLLED COPY  
 INFORMATION SUBJECT TO CHANGE WITHOUT NOTICE  
 COPY WILL NOT BE UPDATED

COPY ISSUED BY \_\_\_\_\_  
 COPY ISSUED ON \_\_\_\_\_



NOZZLE SCHEDULE & ACCESSORIES						
SERVICE	MK	STOCK NO.	SIZE	FITTING	DEG	ELEV



**NOTE:**  **MUST USE FLEXIBLE CONNECTIONS ALL LOWER SIDEWALL FITTINGS**

**NOTES:**  
 1. THIS IS A COMPUTER GENERATED DWG. DO NOT REVISE BY HAND.  
 2. DIMENSIONS WILL VARY ±3% DUE TO VARIATIONS IN MULTIPLE MOLDS & CONDITIONS PREVALENT DURING MANUFACTURE & USAGE.  
 3. NO GALLONAGE MARKERS THIS TANK.


CALCULATED CAPACITIES/ VOLUME IN U.S. GALLONS
DESIGN CAPACITY
1150

CONFIDENTIAL PROPERTY OF  
 POLY PROCESSING COMPANY  
 NOT FOR REPRINT OR USE  
 WITHOUT PERMISSION

DWG TITLE: 1150 GALLON OPEN TOP TANK

SCALE: 1/2"=1'-0"

DATE: 12/28/99



Central Region  
 P.O. Box 4150 (71211)  
 2281 Old Stevington Rd.  
 Monroe, LA 71202  
 (504) 343-7545  
 FAX (504) 343-6795

DR: M WILKERSON  
 CK: J. BRANTLEY

SHEET: 1 OF 1  
 COMPUTER FILE: 1501150  
 REV: B

REV "B" CORRECTED FLANGE BY:MBW 7/15/04 CK:JB  
 REV "A" ADDED FITTING NOTE BY:MBW 4/14/03 CK:JB