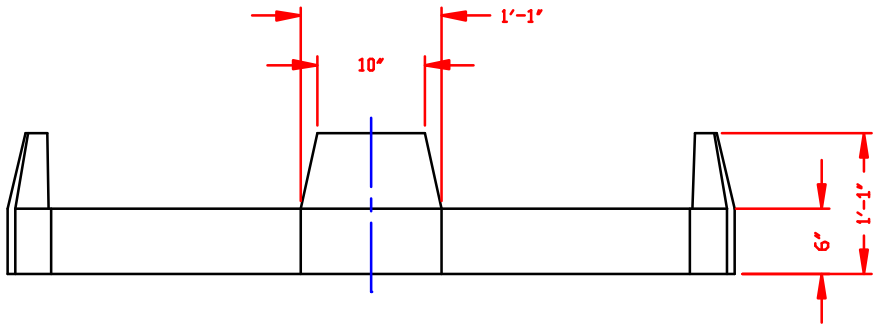
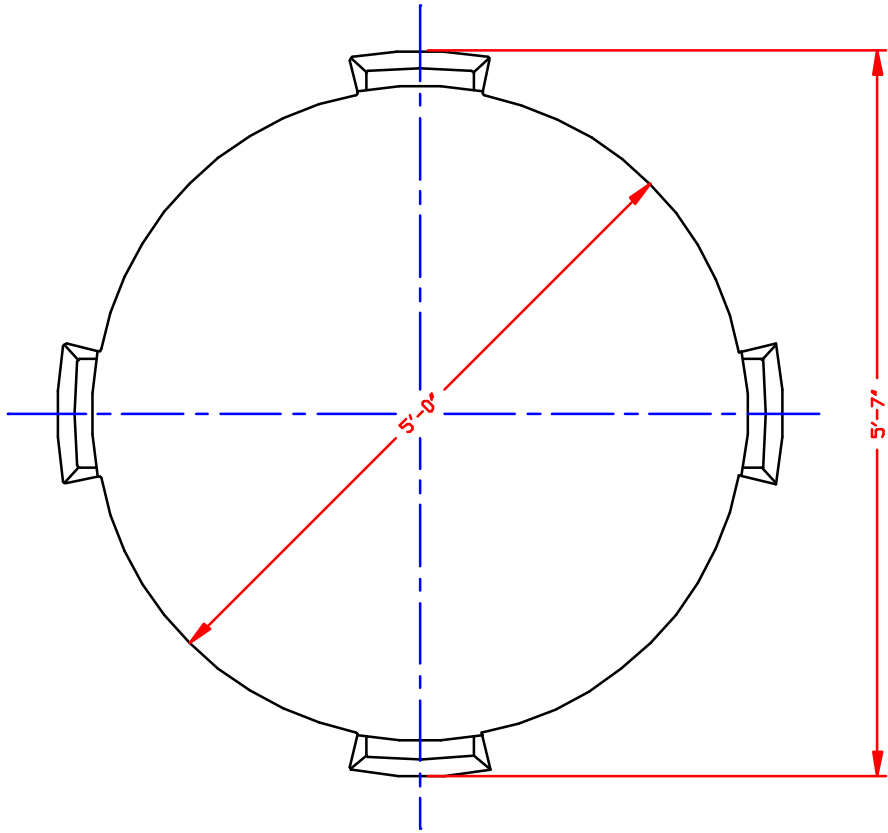


NON-CONTROLLED COPY INFORMATION SUBJECT TO CHANGE WITHOUT NOTICE COPY WILL NOT BE UPDATED	COPY ISSUED BY..... COPY ISSUED ON.....
---	--



**NOTES**  
 1. THIS IS A COMPUTER GENERATED DWG. DO NOT REVISE BY HAND.  
 2. DIMENSIONS WILL VARY ±3% DUE TO VARIATIONS IN MULTIPLE MOLDS & CONDITIONS PREVALENT DURING MANUFACTURE & USAGE.

CONFIDENTIAL PROPERTY OF  
 POLY PROCESSING COMPANY  
 NOT FOR REPRINT OR USE  
 WITHOUT PERMISSION

DWG TITLE			
PAD FOR 5' OD IMFO TANK			
SCALE:	1"=1'-0"		Windows Manager P.O. Box 88 8802 South Ash Street Fremont, CA 94528 (925) 428-2000 FAX (925) 428-9000
DATE:	4/1/00		DR: MB WILKERSON CK: J. RECTOR
		SHEET	COMPUTER FILE
		1 OF 1	18000005 -