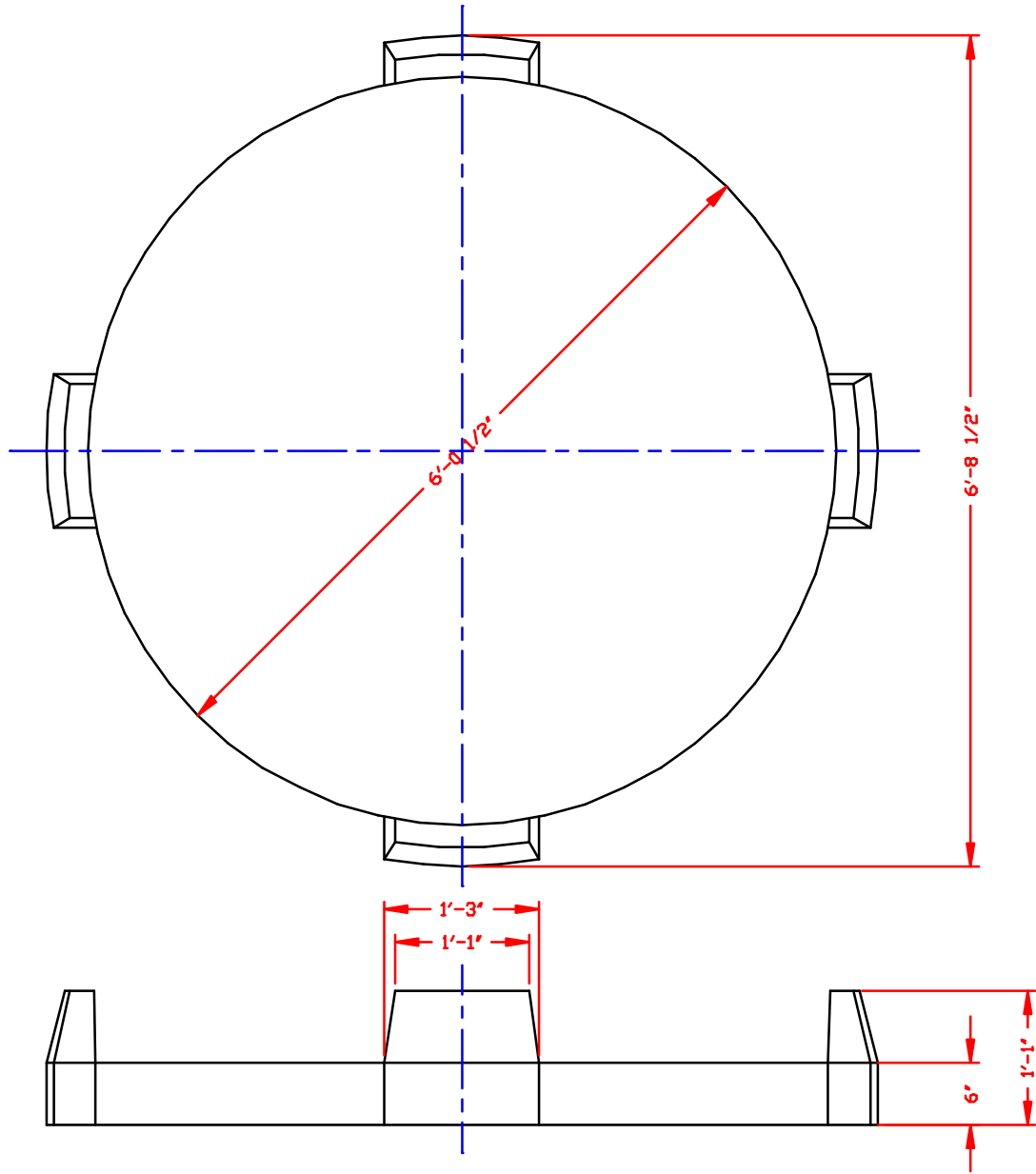


NON-CONTROLLED COPY INFORMATION SUBJECT TO CHANGE WITHOUT NOTICE COPY WILL <u>NOT</u> BE UPDATED	COPY ISSUED BY..... COPY ISSUED ON.....
--	--



NOTES
 1. THIS IS A COMPUTER GENERATED DWG. DO NOT REVISE BY HAND.
 2. DIMENSIONS WILL VARY ±3% DUE TO VARIATIONS IN MULTIPLE
 MOLDS & CONDITIONS PREVALENT DURING MANUFACTURE & USAGE.

CONFIDENTIAL PROPERTY OF
 POLY PROCESSING COMPANY
 NOT FOR REPRINT OR USE
 WITHOUT PERMISSION

DWG TITLE		PAD FOR 6' OD IMFO TANK	
SCALE:	1"=1'-0"		DR: MB WILKERSON
DATE:	4/1/00		CK: D. RECTOR
		SHEET	COMPUTER FILE
		1 OF 1	18000006
			REV
			-