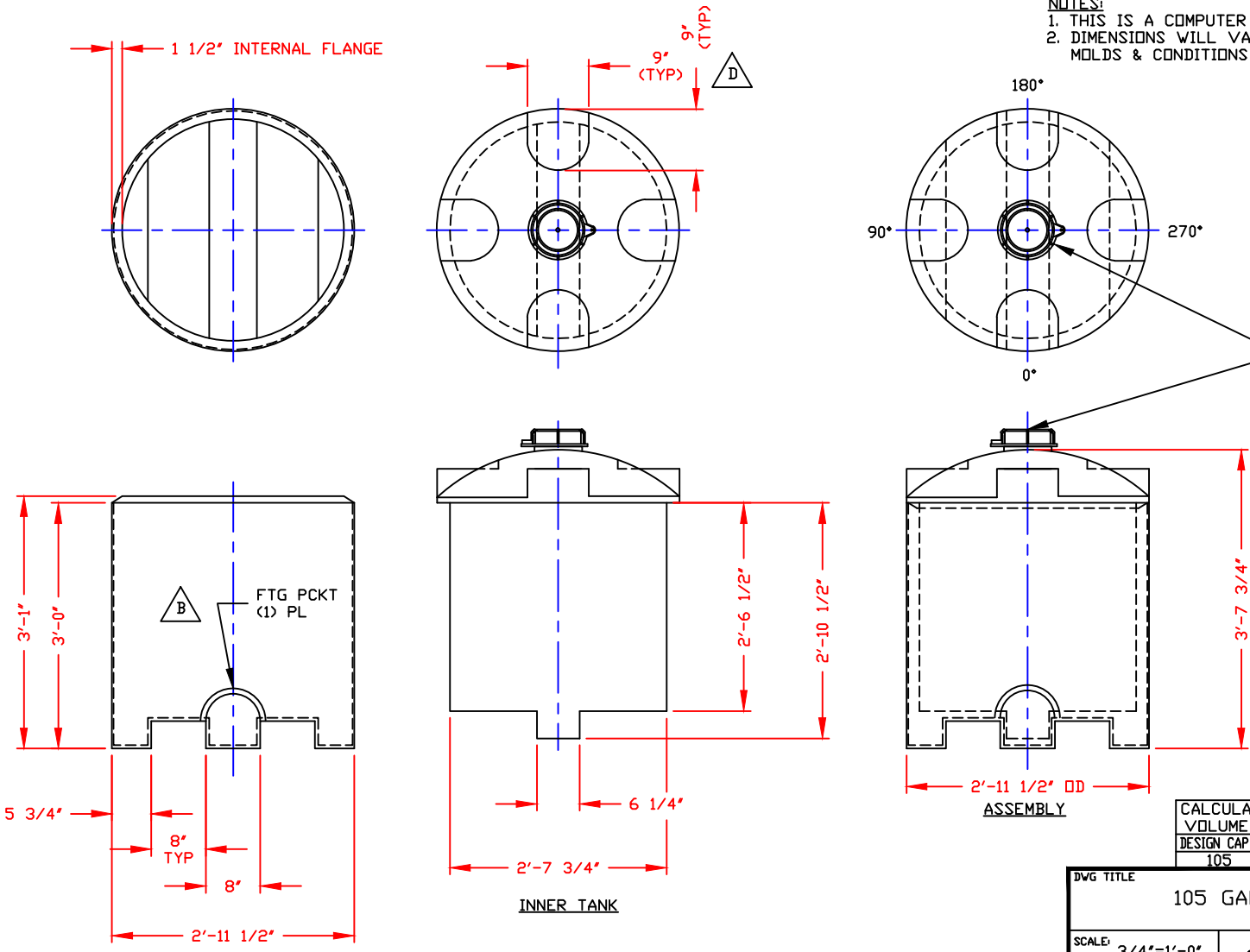


NON-CONTROLLED COPY
 INFORMATION SUBJECT TO CHANGE WITHOUT NOTICE
 VERIFY REV LEVEL OF PAPER COPY WITH REV LEVEL ON PPC WEB SITE

NOTES:
 1. THIS IS A COMPUTER GENERATED DWG. DO NOT REVISE BY HAND.
 2. DIMENSIONS WILL VARY ±3% DUE TO VARIATIONS IN MULTIPLE MOLDS & CONDITIONS PREVALENT DURING MANUFACTURE & USAGE.



C
 STANDARD COVER:
 7"/TH'D CAP/BLANK/
 CHMPLS/BLACK PE
 PPC STOCK NO. 4565

A
 NOTE:
 MUST USE FLEXIBLE
 CONNECTIONS ALL
 LOWER SIDEWALL
 FITTINGS

CALCULATED CAPACITIES/ VOLUME IN U.S. GALLONS		
DESIGN CAP	DOME VOL	TOTAL VOL
105	11	116

CONFIDENTIAL PROPERTY OF
 POLY PROCESSING COMPANY
 NOT FOR REPRINT OR USE
 WITHOUT PERMISSION

DWG TITLE		105 GALLON SAFE-TANK ASSEMBLY	
SCALE:	3/4"=1'-0"		DR:
DATE:	11/22/99		MB WILKERSON
		Central Region P.O. Box 4580 Grand 2881 Old Washington Rd Norcross, LA 72002 CS&P 343-7825 FAX CS&P 343-9795	CK:
			D. RECTOR
		SHEET	COMPUTER FILE
		1 OF 1	2000105
			REV
			D

REV "D"	REVISED DOME FLATS BY:JB 12/5/12 CK:WM
REV "C"	REVISED COVER BY:JB 7/27/09 CK:WM
REV "B"	ADDED FTG POCKET BY:MBW 7/13/04 CK:JB
REV "A"	ADDED FITTING NOTE BY:MBW 4/15/03 CK:JB

B-75