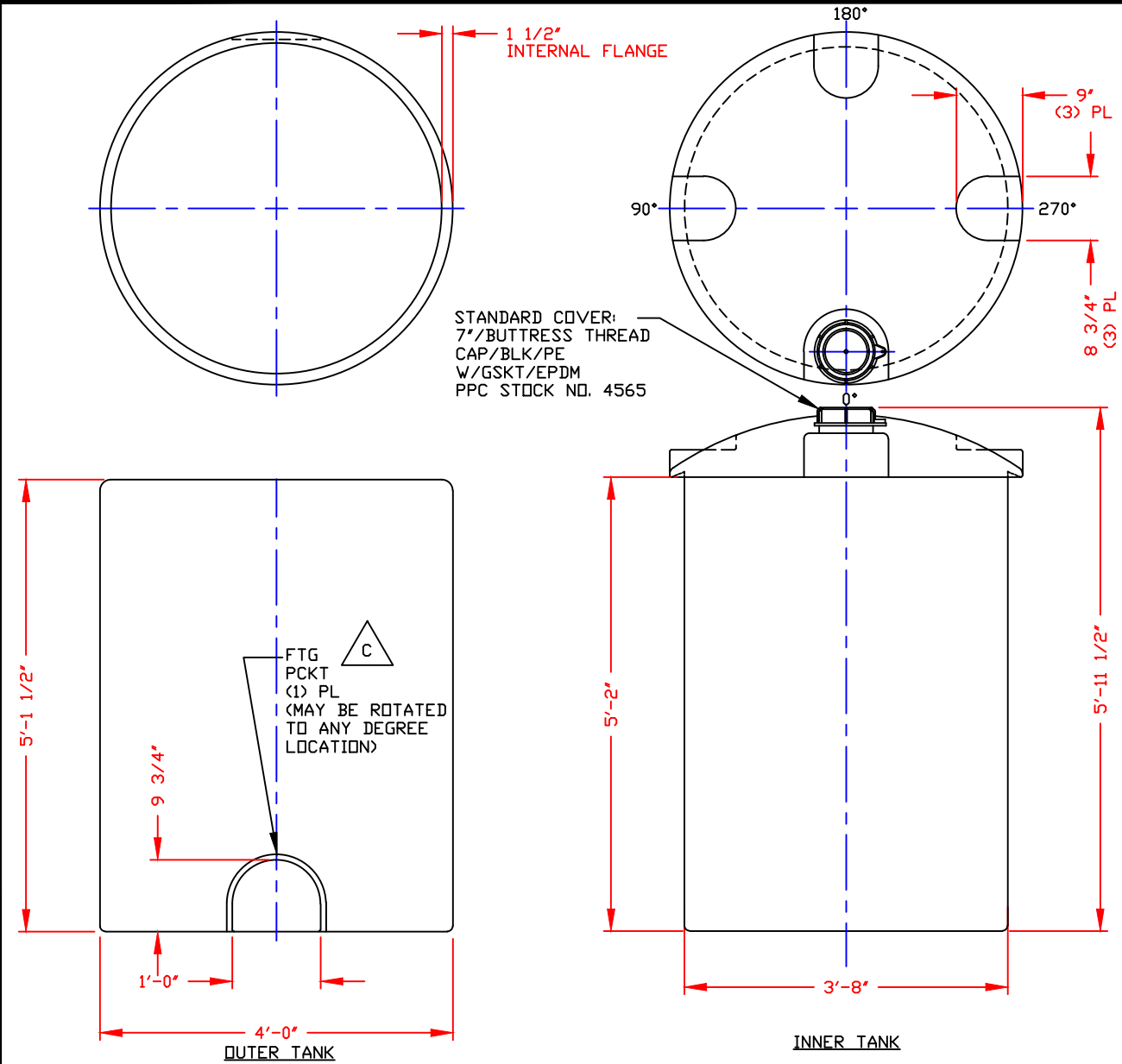


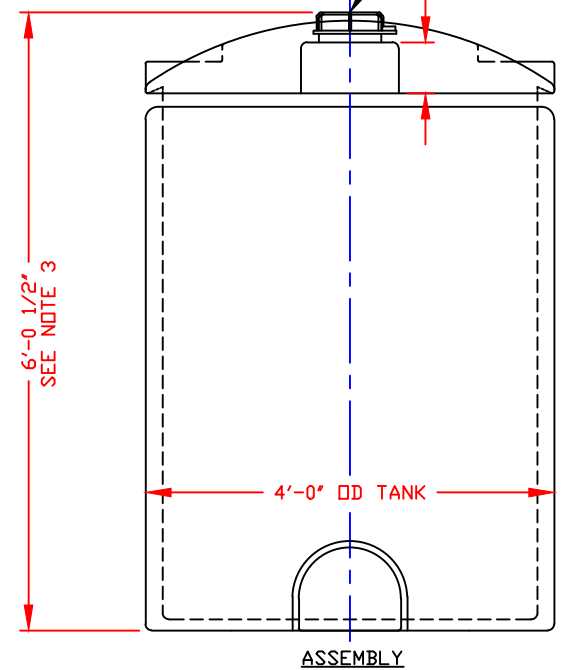
NON-CONTROLLED COPY  
 INFORMATION SUBJECT TO CHANGE WITHOUT NOTICE  
 VERIFY REV LEVEL OF PAPER COPY WITH REV LEVEL ON PPC WEB SITE



**NOTES**  
 1. THIS IS A COMPUTER GENERATED DWG. DO NOT REVISE BY HAND.  
 2. DIMENSIONS WILL VARY ±3% DUE TO VARIATIONS IN MULTIPLE MOLDS & CONDITIONS PREVELANT DURING MANUFACTURE & USAGE.  
 3. OVERALL HEIGHT WILL VARY WITH THE PENETRATION OF THE INNER TANK INTO THE OUTER TANK.

**NOTE:** B  
 MUST USE FLEXIBLE CONNECTIONS ALL LOWER SIDEWALL FITTINGS

STANDARD COVER:  
 7"/BUTTRESS THREAD  
 CAP/BLK/PE  
 W/GSKT/EPDM  
 PPC STOCK NO. 4565



REV "D" REVISED FOR MOLD MODIFICATIONS BY:MBW 3/28/06 CK:WM  
 REV "C" ADDED FTG POCKET BY:MBW 7/9/04 CK:JB  
 REV "B" ADDED FITTING NOTE BY:MBW 4/15/03 CK:JB  
 REV "A" REVISED & REDRAWN FOR MOLD MODIFICATIONS BY:MBW 7/24/00 CK:JB

CALCULATED CAPACITIES/ VOLUME IN U.S. GALLONS			
TANK	SHELL CAP	DOME VOL	TOTAL VOL
INNER	405	25	430
OUTER	467	N/A	467

CONFIDENTIAL PROPERTY OF  
 POLY PROCESSING COMPANY  
 NOT FOR REPRINT OR USE  
 WITHOUT PERMISSION

DWG TITLE			
405 GALLON SAFE-TANK ASSEMBLY			
SCALE:	3/4"=1'-0"	 Central Region P.O. Box 4150 (71211) 2201 Old Sterlington Rd. Monroe, LA 71203 (504) 343-7565 FAX (504) 343-9795	DR: MB WILKERSON
DATE:	11/23/99		CK: D. RECTOR
SHEET		COMPUTER FILE	REV
1 OF 1		2000405	D