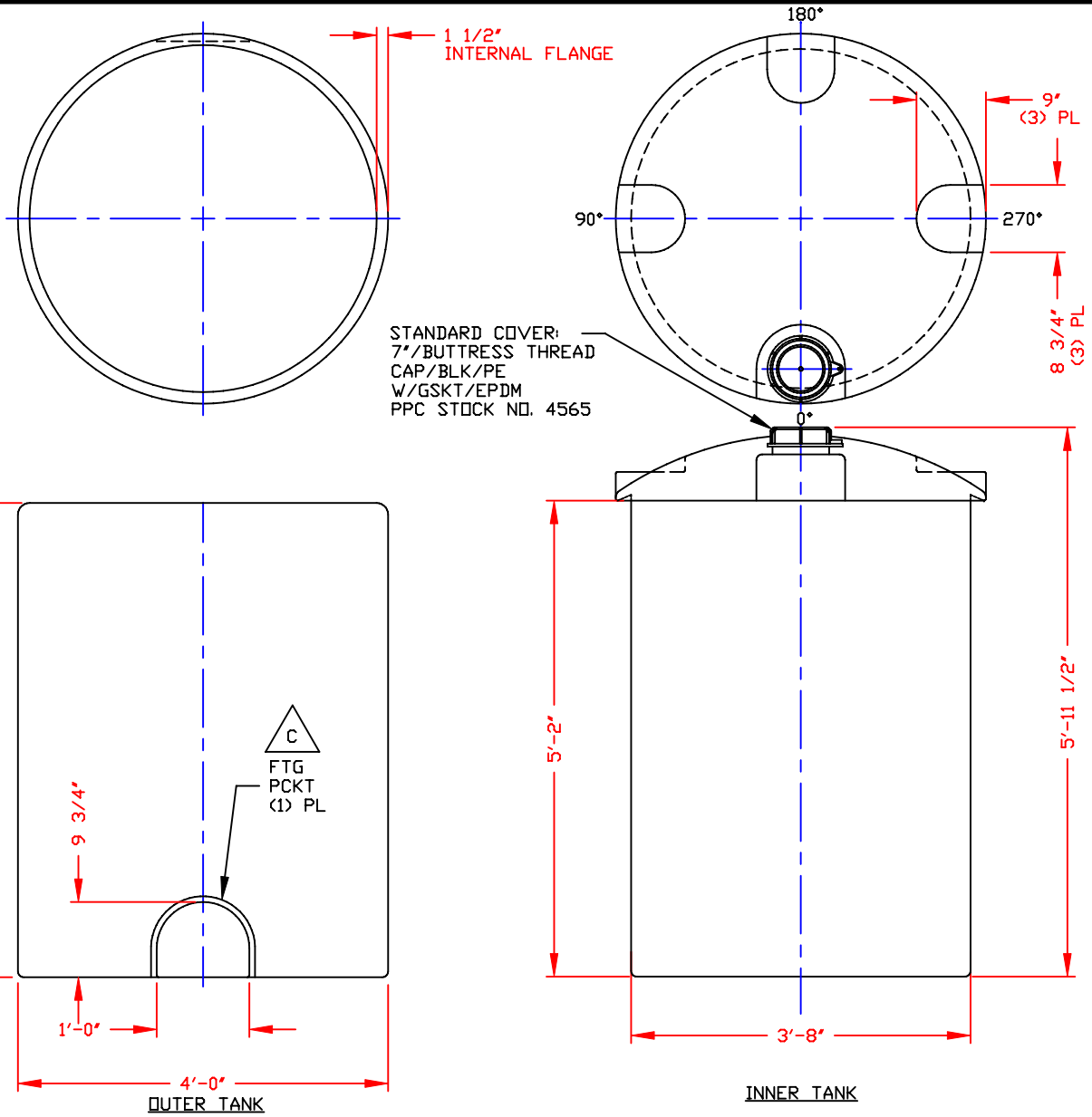
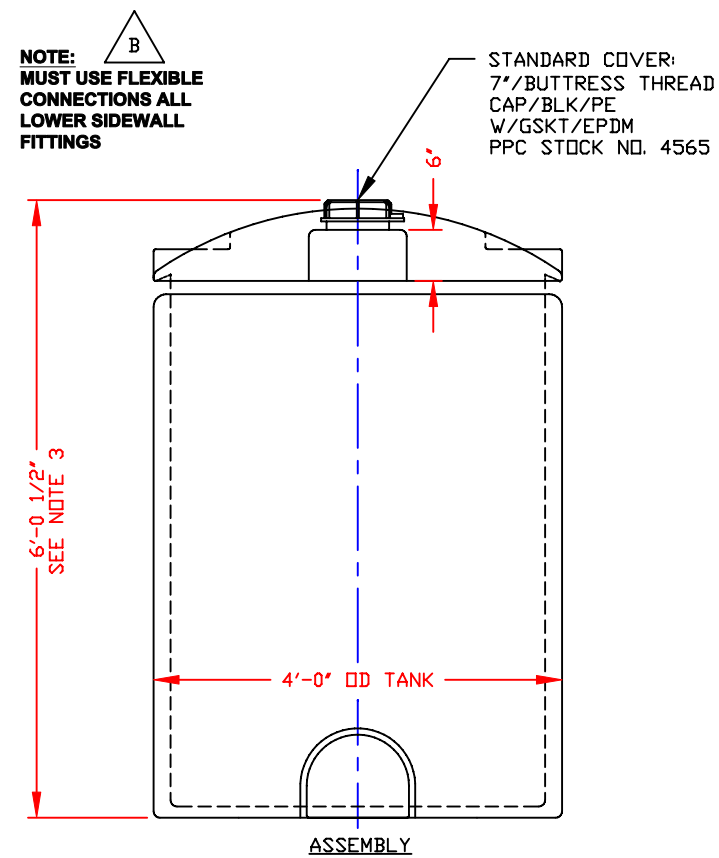


NON-CONTROLLED COPY  
 INFORMATION SUBJECT TO CHANGE WITHOUT NOTICE  
 VERIFY REV LEVEL OF PAPER COPY WITH REV LEVEL ON PPC WEB SITE




- NOTES**
1. THIS IS A COMPUTER GENERATED DWG. DO NOT REVISE BY HAND.
  2. DIMENSIONS WILL VARY ±3% DUE TO VARIATIONS IN MULTIPLE MOLDS & CONDITIONS PREVELANT DURING MANUFACTURE & USAGE.
  3. OVERALL HEIGHT WILL VARY WITH THE PENETRATION OF THE INNER TANK INTO THE OUTER TANK.



REV 'D' REVISED FOR MOLD MODIFICATIONS BY:MBW 3/28/06 CK:WM  
 REV 'C' ADDED FTG POCKET BY:MBW 7/9/04 CK:JB  
 REV 'B' ADDED FITTING NOTE BY:MBW 4/15/03 CK:JB  
 REV 'A' REVISED & REDRAWN FOR MOLD MODIFICATIONS BY:MBW 7/24/00 CK:JB

CALCULATED CAPACITIES/ VOLUME IN U.S. GALLONS			
TANK	SHELL	CAP/DOME VOL	TOTAL VOL
INNER	405	25	430
OUTER	467	N/A	467

CONFIDENTIAL PROPERTY OF  
 POLY PROCESSING COMPANY  
 NOT FOR REPRINT OR USE  
 WITHOUT PERMISSION

DWG TITLE		405 GALLON SAFE-TANK ASSEMBLY	
SCALE:	3/4"=1'-0"	 <b>POLYPROCESSING</b> COMPANY	Central Region P.O. Box 4150 (71211) 2201 Old Starvington Rd Norcross, GA 30051 CUID 343-7565 FAX 343-8795
DATE:	11/23/99		DR: MB WILKERSON
		SHEET	COMPUTER FILE
		1 OF 1	2000405
			REV D