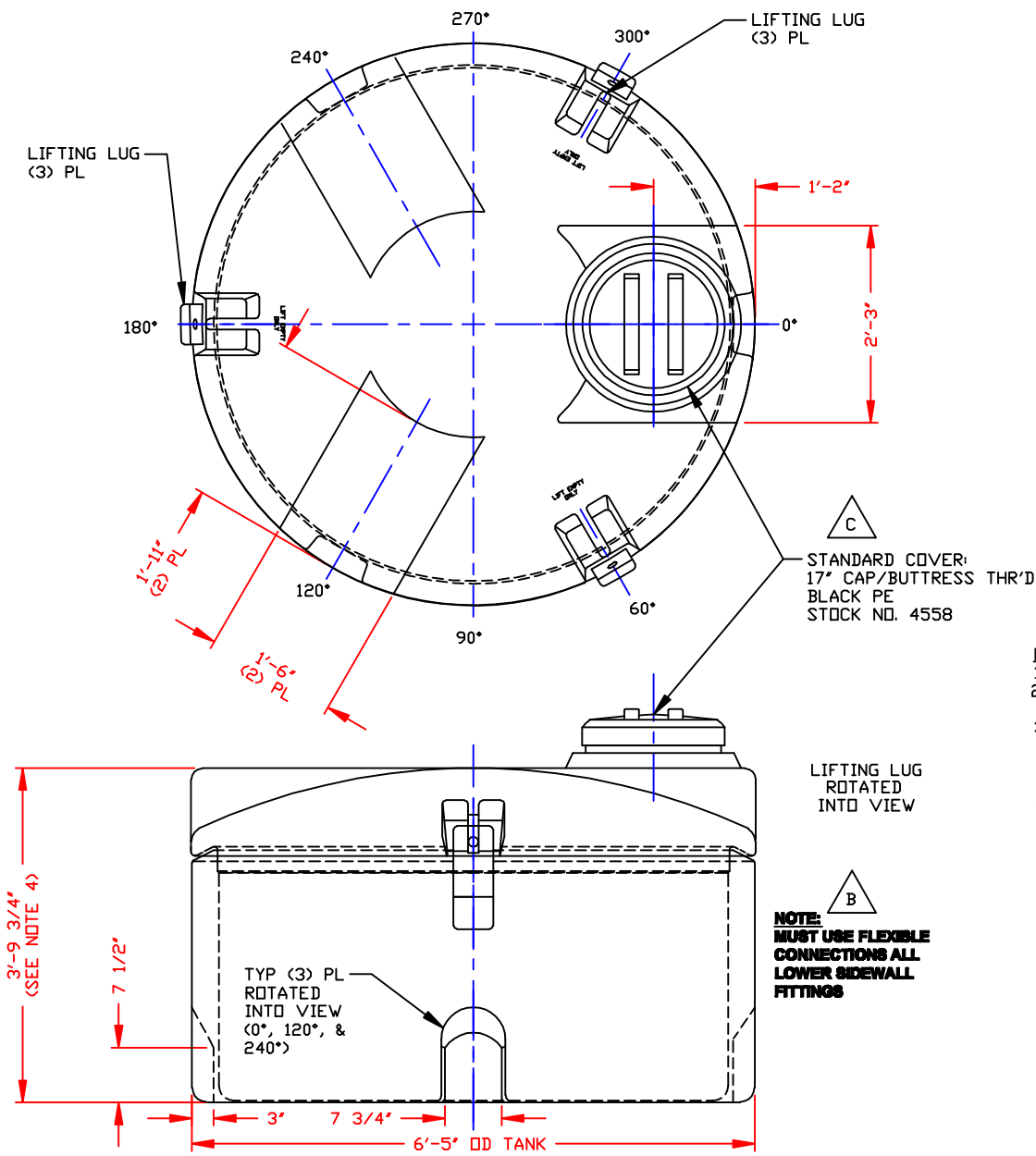


NON-CONTROLLED COPY
 INFORMATION SUBJECT TO CHANGE WITHOUT NOTICE
 VERIFY REV LEVEL OF PAPER COPY WITH REV LEVEL ON PPC WEB SITE

REV 'A' REVISED FOR MOLD MODIFICATIONS BY MBW 1/30/03 CKJBT
 REV 'B' ADDED FITTING NOTE BY MBW 4/16/03 CK-JB
 REV 'C' REVISED COVER BY JB 7/27/09 CKWM

NOZZLE SCHEDULE & ACCESSORIES

SERVICE	MK	STOCK NO.	SIZE	FITTING	DEG	ELEV



- NOTES:
- THIS IS A COMPUTER GENERATED DWG. DO NOT REVISE BY HAND.
 - DIMENSIONS WILL VARY $\pm 3\%$ DUE TO VARIATIONS IN MULTIPLE MOLDS & CONDITIONS PREVALENT DURING MANUFACTURE & USAGE.
 - FOR INNER TANK DTLS SEE COMPUTER FILE NO. 2000540, TITLE "540 GALLON INNER SAFE-TANK." FOR OUTER TANK DTLS SEE COMPUTER FILE NO. 2100655, TITLE "540 GALLON OUTER SAFE-TANK/ 655 GALLON OPEN TOP TANK."
 - OVERALL HEIGHT WILL VARY WITH THE PENETRATION OF THE INNER TANK INTO THE OUTER TANK.

TANK	DESIGN CAP	DOME VOL	TOTAL VOL
INNER	542	105	647
OUTER	659	N/A	659

CONFIDENTIAL PROPERTY OF
 POLY PROCESSING COMPANY
 NOT FOR REPRINT OR USE
 WITHOUT PERMISSION

DWG TITLE: 540 GALLON SAFE-TANK ASSEMBLY

SCALE: 3/4" = 1'-0"

DATE: 11/23/99

DR: MB WILKERSON
 CK: D. RECTOR

COMPANY: POLY PROCESSING COMPANY, LLC

Address: P.O. Box 4550, Metairie, LA 70001
 Phone: (504) 885-7825
 Fax: (504) 885-9795

SHEET: 1 OF 1
 COMPUTER FILE: 2000540A
 REV: C