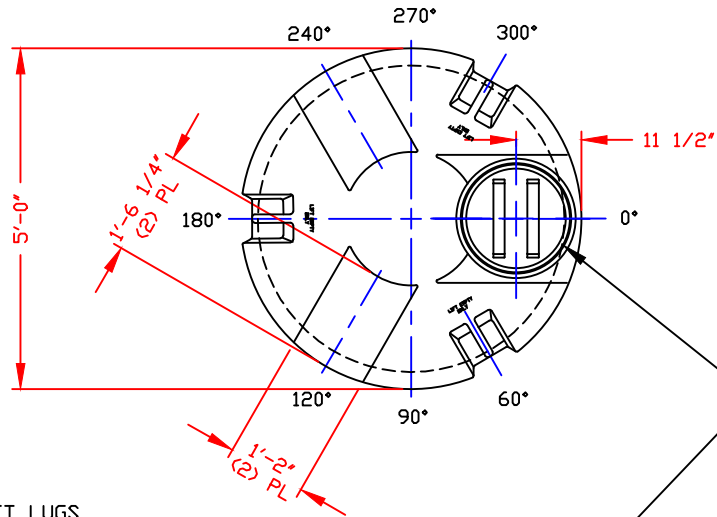
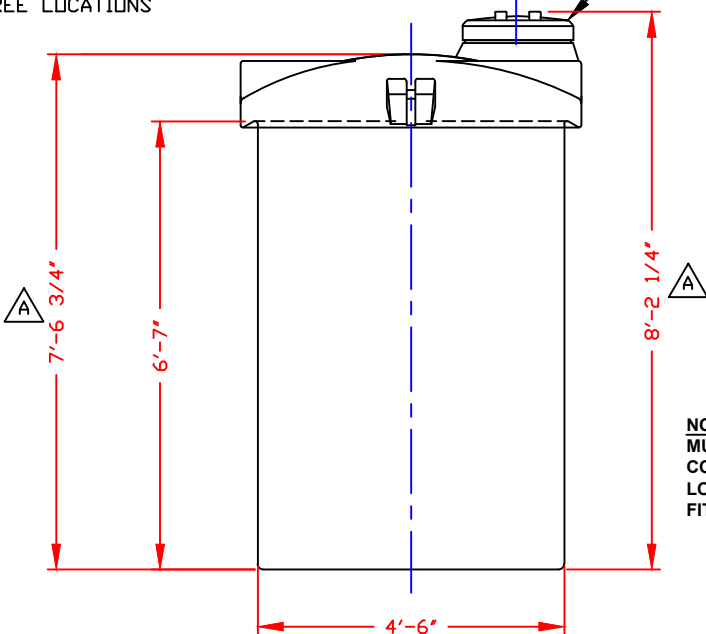
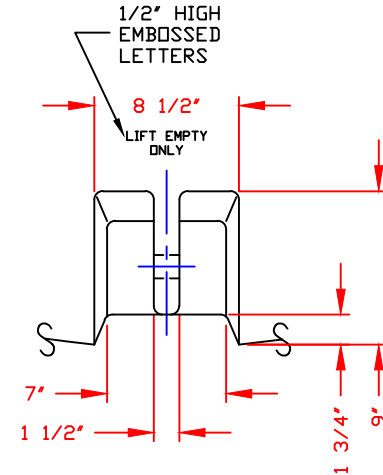


NON-CONTROLLED COPY
 INFORMATION SUBJECT TO CHANGE WITHOUT NOTICE
 VERIFY REV LEVEL OF PAPER COPY WITH REV LEVEL ON PPC WEB SITE



STANDARD COVER:
 17" CAP/BUTTRESS THR'D
 BLACK PE
 STOCK NO. 4558

NOTE: LIFT LUGS
 ROTATED INTO VIEW FOR
 CLARITY. SEE PLAN VIEW
 FOR DEGREE LOCATIONS



NOTE:
 MUST USE FLEXIBLE
 CONNECTIONS ALL
 LOWER SIDEWALL
 FITTINGS

NOTES:
 1. THIS IS A COMPUTER GENERATED DWG. DO NOT REVISE BY HAND.
 2. DIMENSIONS WILL VARY ±3% DUE TO VARIATIONS IN MULTIPLE
 MOLDS & CONDITIONS PREVALENT DURING MANUFACTURE & USAGE.

CALCULATED CAPACITIES/ VOLUME IN U.S. GALLONS		
TANK	DESIGN CAP	DOME VOL/TOTAL VOL
INNER	750	56 / 806

CONFIDENTIAL PROPERTY OF
 POLY PROCESSING COMPANY
 NOT FOR REPRINT OR USE
 WITHOUT PERMISSION

DWG TITLE		750 GALLON SAFE-TANK INNER		
SCALE:	1/2"=1'-0"	 Central Region P.O. Box 4150 07210 2201 Old Sterlington Rd Monroe, LA 71203 (504) 343-7565 FAX (504) 343-8795	DR:	B. THURMON
DATE:	01/09/2013		CK:	-
SHEET		COMPUTER FILE	REV	
1 OF 1		2000750	A	

REV "A" REVISED DIMENSIONS BY:JB 5/11/16