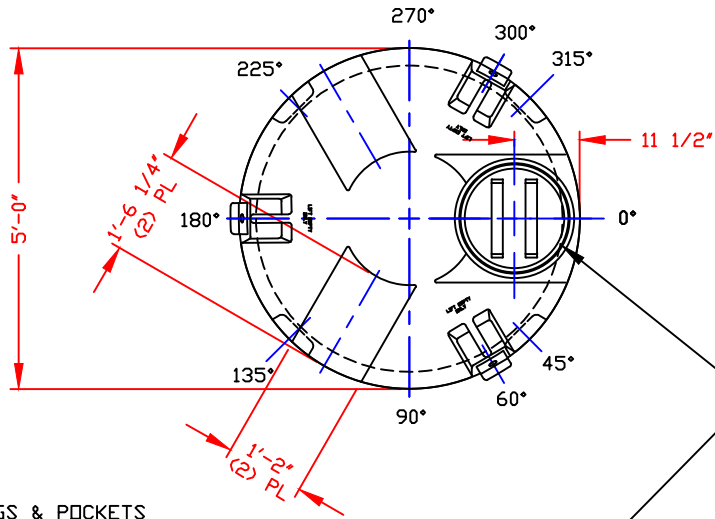
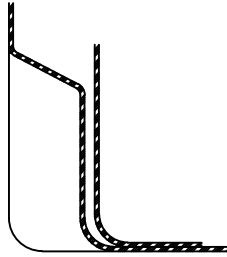


NON-CONTROLLED COPY
 INFORMATION SUBJECT TO CHANGE WITHOUT NOTICE
 VERIFY REV LEVEL OF PAPER COPY WITH REV LEVEL ON PPC WEB SITE

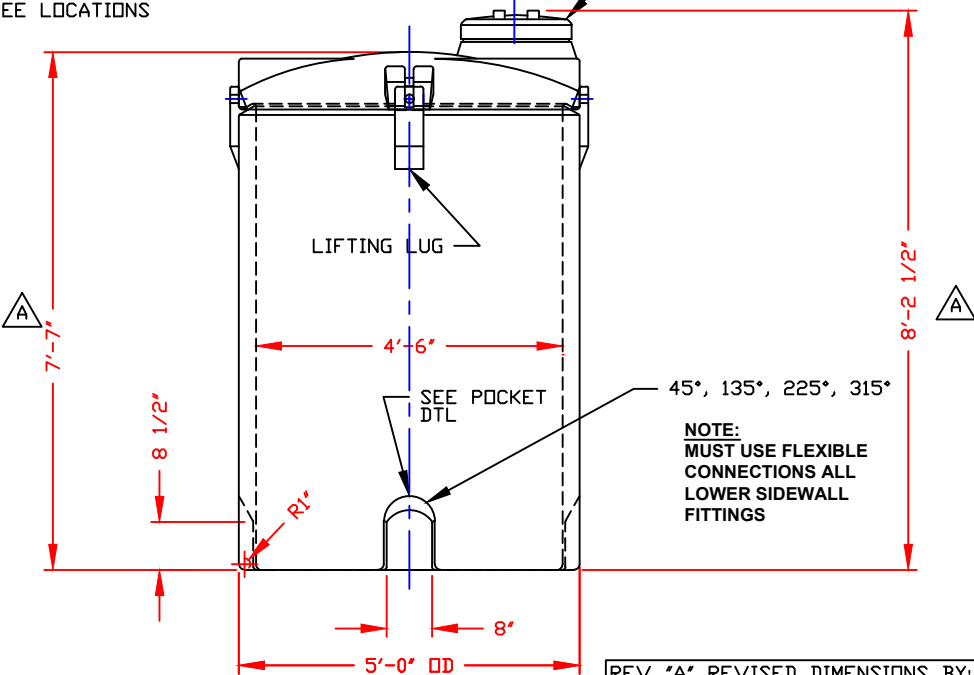


STANDARD COVER:
 17" CAP/BUTTRESS THR'D
 BLACK PE
 STOCK NO. 4558



POCKET DETAIL
 SCALE: NONE

NOTE: LUGS & POCKETS
 ROTATED INTO VIEW FOR
 CLARITY. SEE PLAN VIEW
 FOR DEGREE LOCATIONS



NOTE:
 MUST USE FLEXIBLE
 CONNECTIONS ALL
 LOWER SIDEWALL
 FITTINGS

NOTES:
 1. THIS IS A COMPUTER GENERATED DWG. DO NOT REVISE BY HAND.
 2. DIMENSIONS WILL VARY ±3% DUE TO VARIATIONS IN MULTIPLE
 MOLDS & CONDITIONS PREVALENT DURING MANUFACTURE & USAGE.

CALCULATED CAPACITIES/ VOLUME IN U.S. GALLONS			
TANK	DESIGN CAP	DOME VOL	TOTAL VOL
INNER	750	56	806
OUTER	944	N/A	944

CONFIDENTIAL PROPERTY OF
 POLY PROCESSING COMPANY
 NOT FOR REPRINT OR USE
 WITHOUT PERMISSION

DWG TITLE			
750 GALLON SAFE-TANK ASSEMBLY			
SCALE:	1/2"=1'-0"		DR:
DATE:	11/26/12		B. THURMON
		Central Region P.O. Box 4190 71210 Monroe, LA 71203 318 343-7565 FAX 318 343-8795	CK:
			-
		SHEET	COMPUTER FILE
		1 OF 1	2000750A
			REV
			A

REV "A" REVISED DIMENSIONS BY:JB 5/11/16