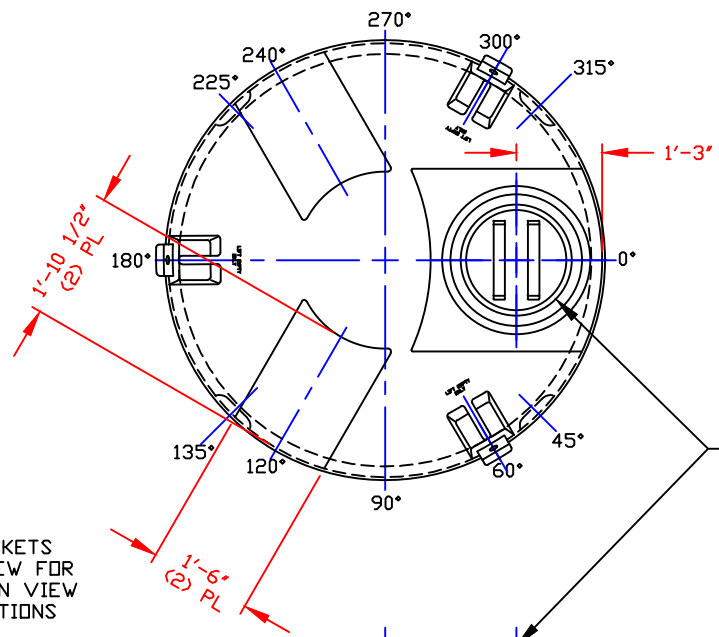
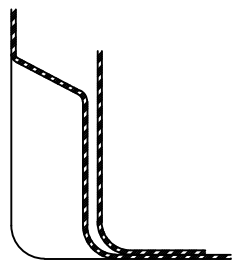


NON-CONTROLLED COPY
 INFORMATION SUBJECT TO CHANGE WITHOUT NOTICE
 VERIFY REV LEVEL OF PAPER COPY WITH REV LEVEL ON PPC WEB SITE

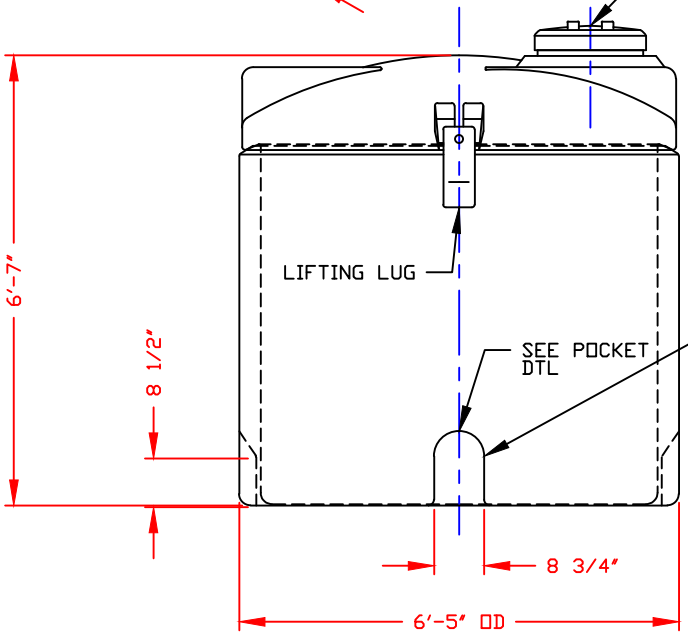


NOTE: LUGS & POCKETS ROTATED INTO VIEW FOR CLARITY. SEE PLAN VIEW FOR DEGREE LOCATIONS

STANDARD COVER:
 17" CAP/BUTTRESS THR'D
 BLACK PE
 STOCK NO. 4558



POCKET DETAIL
 SCALE: NONE



LIFTING LUG

SEE POCKET DTL


NOTE:
 MUST USE FLEXIBLE CONNECTIONS ALL LOWER SIDEWALL FITTINGS

NOTES:

1. THIS IS A COMPUTER GENERATED DWG. DO NOT REVISE BY HAND.
2. DIMENSIONS WILL VARY ±3% DUE TO VARIATIONS IN MULTIPLE MOLDS & CONDITIONS PREVALENT DURING MANUFACTURE & USAGE.
3. FOR INNER TANK DTLs SEE COMPUTER FILE NO 2001000, TITLE '1000 GALLON INNER SAFE-TANK.' FOR OUTER TANK DTLs SEE COMPUTER FILE NO. 12101200, TITLE '1000 GALLON OUTER SAFE-TANK.' 1200 GALLON OPEN TOP TANK.'

CONFIDENTIAL PROPERTY OF
 POLY PROCESSING COMPANY
 NOT FOR REPRINT OR USE
 WITHOUT PERMISSION

CALCULATED CAPACITIES/ VOLUME IN U.S. GALLONS			
TANK	DESIGN CAP	DOMED VOL	TOTAL VOL
INNER	1016	187	1203
OUTER	1215	N/A	1215

DWG TITLE		1000 GALLON SAFE-TANK ASSEMBLY		
SCALE:	1/2"=1'-0"	 POLYPROCESSING SOLUTIONS. SIMPLIFIED.	DR:	J. BRANTLEY
DATE:	11/15/18		CK:	
		SHEET	COMPUTER FILE	REV
		1 OF 1	2001000A	-