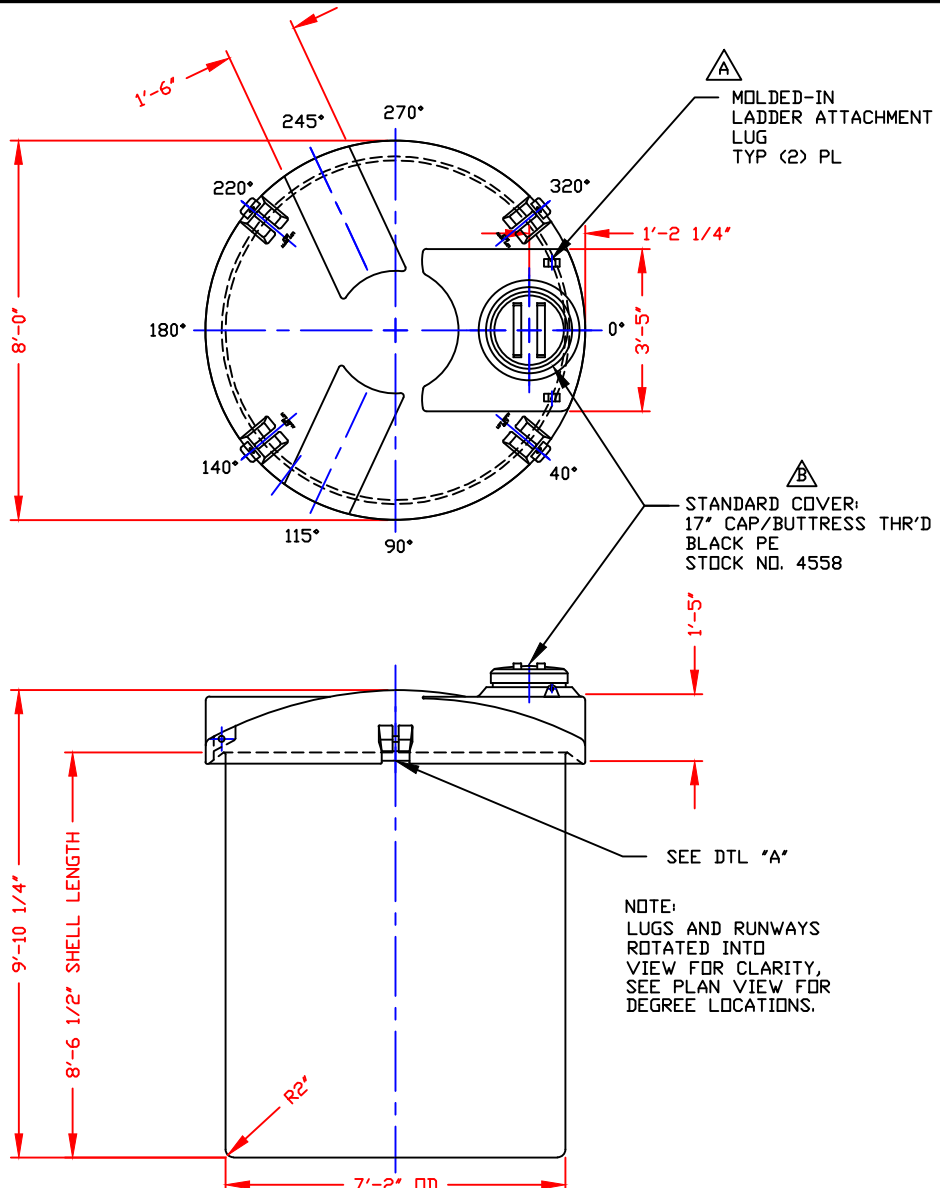
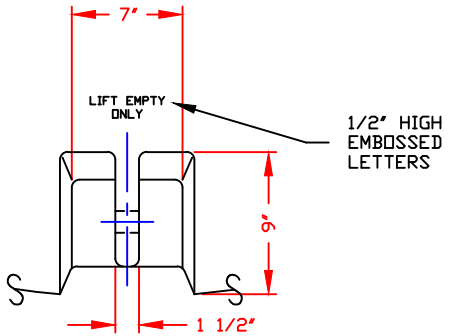


NON-CONTROLLED COPY
 INFORMATION SUBJECT TO CHANGE WITHOUT NOTICE
 VERIFY REV LEVEL OF PAPER COPY WITH REV LEVEL ON PPC WEB SITE



NOZZLE SCHEDULE & ACCESSORIES						
SERVICE	MK	STOCK NO.	SIZE	FITTING	DEG	ELEV



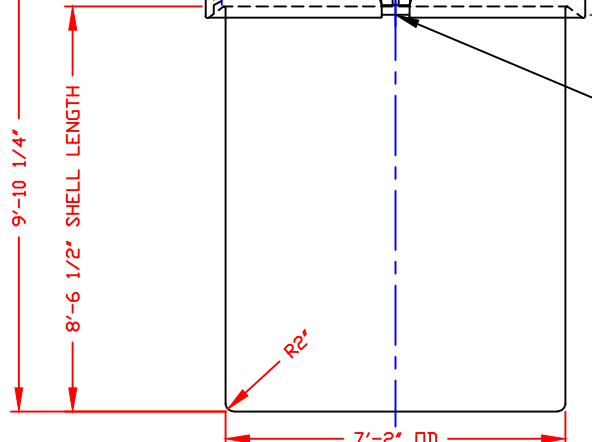
DETAIL "A"
SCALE: NONE

- NOTES:
1. THIS IS A COMPUTER GENERATED DWG. DO NOT REVISE BY HAND.
 2. DIMENSIONS WILL VARY ±3% DUE TO VARIATIONS IN MULTIPLE MOLDS & CONDITIONS PREVALENT DURING MANUFACTURE & USAGE.
 3. FOR OUTER TANK DTLS SEE COMPUTER FILE NO. 12103100, TITLE "2500 GALLON OUTER SAFE-TANK/3100 GALLON OPEN TOP TANK." FOR ASSEMBLY DTLS SEE COMPUTER FILE NO. 12002500A, TITLE "2500 GALLON SAFE-TANK ASSEMBLY."

CALCULATED CAPACITIES/ VOLUME IN U.S. GALLONS		
DESIGN CAP	DOME VOL	TOTAL VOL
2517	246	2763

CONFIDENTIAL PROPERTY OF
 PDLY PROCESSING COMPANY
 NOT FOR REPRINT OR USE
 WITHOUT PERMISSION

NOTE:
 LUGS AND RUNWAYS
 ROTATED INTO
 VIEW FOR CLARITY,
 SEE PLAN VIEW FOR
 DEGREE LOCATIONS.



REV "C" REVISED DOME BY:JB 8/7/15 CK:WM
 REV "B" REVISED COVER BY:JB 7/27/09 CK:WM
 REV "A" ADDED LADDER ATTACHMENT LUGS BY:JB 8/13/04 CK:WM

DWG TITLE 2500 GALLON INNER SAFE-TANK			
SCALE: 3/8"=1'-0"		Central Region P.O. Box 4589 (71833) 2824 Old Springington Rd. New Orleans, LA 70285 CISD: 343-7843 FAX: 338-9795	DR: MB WILKERSON
DATE: 1/15/04		CK: J. BRANTLEY	
SHEET 1 OF 1		COMPUTER FILE 2002500	REV C