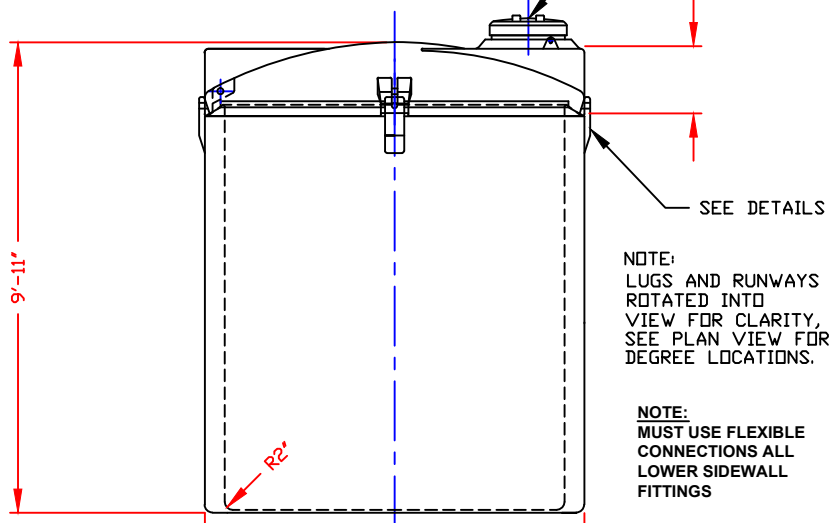
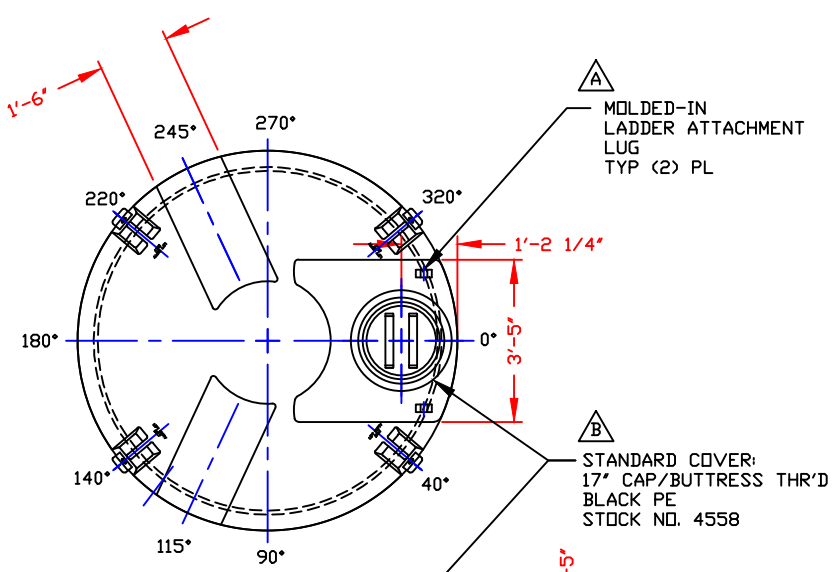


NON-CONTROLLED COPY
 INFORMATION SUBJECT TO CHANGE WITHOUT NOTICE
 VERIFY REV LEVEL OF PAPER COPY WITH REV LEVEL ON PPC WEB SITE

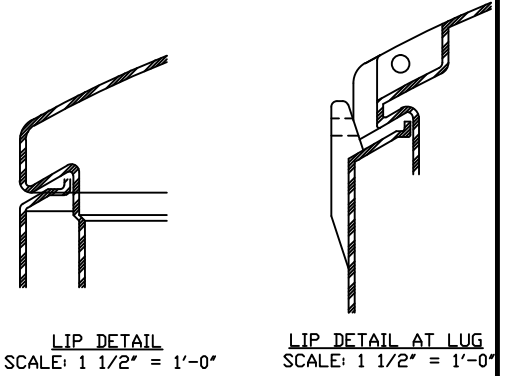


NOTE:
 LUGS AND RUNWAYS
 ROTATED INTO
 VIEW FOR CLARITY,
 SEE PLAN VIEW FOR
 DEGREE LOCATIONS.

NOTE:
 MUST USE FLEXIBLE
 CONNECTIONS ALL
 LOWER SIDEWALL
 FITTINGS

- REV "D" REVISED DOME BY:JB 8/7/15 CK:WM
- REV "C" REMOVED ALIGNMENT PKTS BY:JB 11/4/10 CK:WM
- REV "B" REVISED COVER BY:JB 7/27/09 CK:WM
- REV "A" ADDED LADDER ATTACHMENT LUGS BY:JB 8/13/05 CK:WM

NOZZLE SCHEDULE & ACCESSORIES						
SERVICE	MK	STOCK NO.	SIZE	FITTING	DEG	ELEV



- NOTES:
- THIS IS A COMPUTER GENERATED DWG. DO NOT REVISE BY HAND.
 - DIMENSIONS WILL VARY ±3% DUE TO VARIATIONS IN MULTIPLE MOLDS & CONDITIONS PREVALENT DURING MANUFACTURE & USAGE.
 - FOR INNER TANK DTLs SEE COMPUTER FILE NO. 12002500 TITLE "2500 GALLON INNER SAFE-TANK." FOR OUTER TANK DTLs SEE COMPUTER FILE NO. 12103100, TITLE "2500 GALLON OUTER SAFE-TANK/2500 OPEN TOP TANK".

CALCULATED CAPACITIES/ VOLUME IN U.S. GALLONS			
TANK	DESIGN CAP	DOME VOL	TOTAL VOL
INNER	2517	246	2763
OUTER	3125	N/A	3125

CONFIDENTIAL PROPERTY OF
 PDLY PROCESSING COMPANY
 NOT FOR REPRINT OR USE
 WITHOUT PERMISSION

DWG TITLE			
2500 GALLON SAFE-TANK ASSEMBLY			
SCALE: 3/8"=1'-0"		Central Region P.O. Box 4580 2838 Old Springington Rd. Norcross, GA 30052 CSD 343-7823 FAX CSD 343-9795	DR: MB WILKERSON
DATE: 5/18/02		PolyProcessing COMPANY LLC	CK: J. BRANTLEY
SHEET		COMPUTER FILE	REV
1 OF 1		12002500A	D