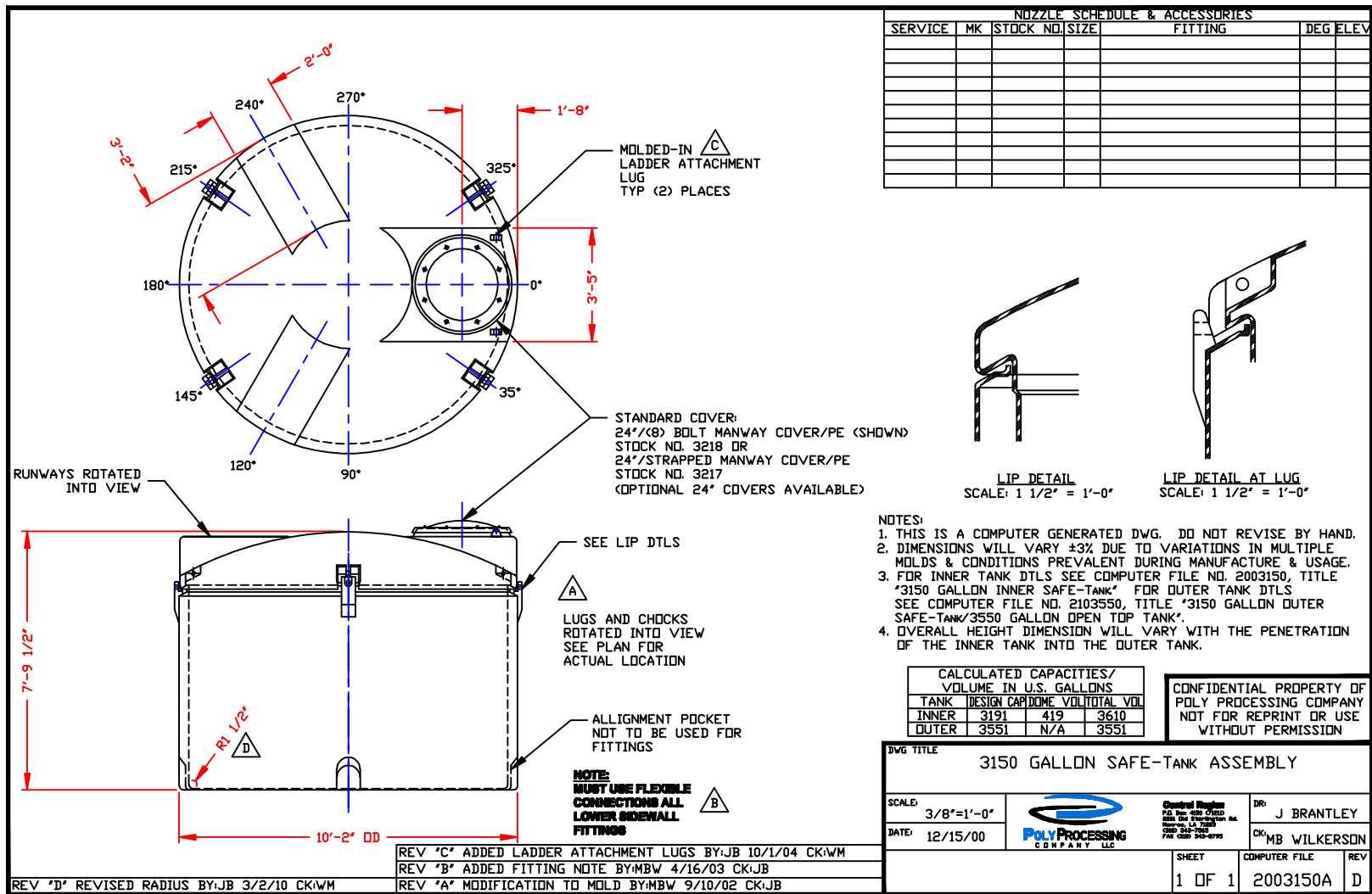


NON-CONTROLLED COPY
 INFORMATION SUBJECT TO CHANGE WITHOUT NOTICE
 VERIFY REV LEVEL OF PAPER COPY WITH REV LEVEL ON PPC WEB SITE



NOZZLE SCHEDULE & ACCESSORIES

SERVICE	MK	STOCK NO.	SIZE	FITTING	DEG	ELEV

- NOTES:
- THIS IS A COMPUTER GENERATED DWG. DO NOT REVISE BY HAND.
 - DIMENSIONS WILL VARY ±3% DUE TO VARIATIONS IN MULTIPLE MOLDS & CONDITIONS PREVALENT DURING MANUFACTURE & USAGE.
 - FOR INNER TANK DTLS SEE COMPUTER FILE NO. 2003150, TITLE "3150 GALLON INNER SAFE-TANK" FOR OUTER TANK DTLS SEE COMPUTER FILE NO. 2103550, TITLE "3150 GALLON OUTER SAFE-TANK/3550 GALLON OPEN TOP TANK".
 - OVERALL HEIGHT DIMENSION WILL VARY WITH THE PENETRATION OF THE INNER TANK INTO THE OUTER TANK.

CALCULATED CAPACITIES/VOLUME IN U.S. GALLONS

TANK	DESIGN CAP.	DOME VOL.	TOTAL VOL.
INNER	3191	419	3610
OUTER	3551	N/A	3551

CONFIDENTIAL PROPERTY OF
 POLY PROCESSING COMPANY
 NOT FOR REPRINT OR USE
 WITHOUT PERMISSION

DWG TITLE: 3150 GALLON SAFE-TANK ASSEMBLY

SCALE: 3/8"=1'-0"

DATE: 12/15/00

DR: J BRANTLEY

CK: MB WILKERSON

Sheet: 1 OF 1

Computer File: 2003150A

Rev: D

REV *C* ADDED LADDER ATTACHMENT LUGS BY:JB 10/1/04 CK:WM
 REV *B* ADDED FITTING NOTE BY:MBW 4/16/03 CK:JB
 REV *A* MODIFICATION TO MOLD BY:MBW 9/10/02 CK:JB
 REV *D* REVISED RADIUS BY:JB 3/2/10 CK:WM