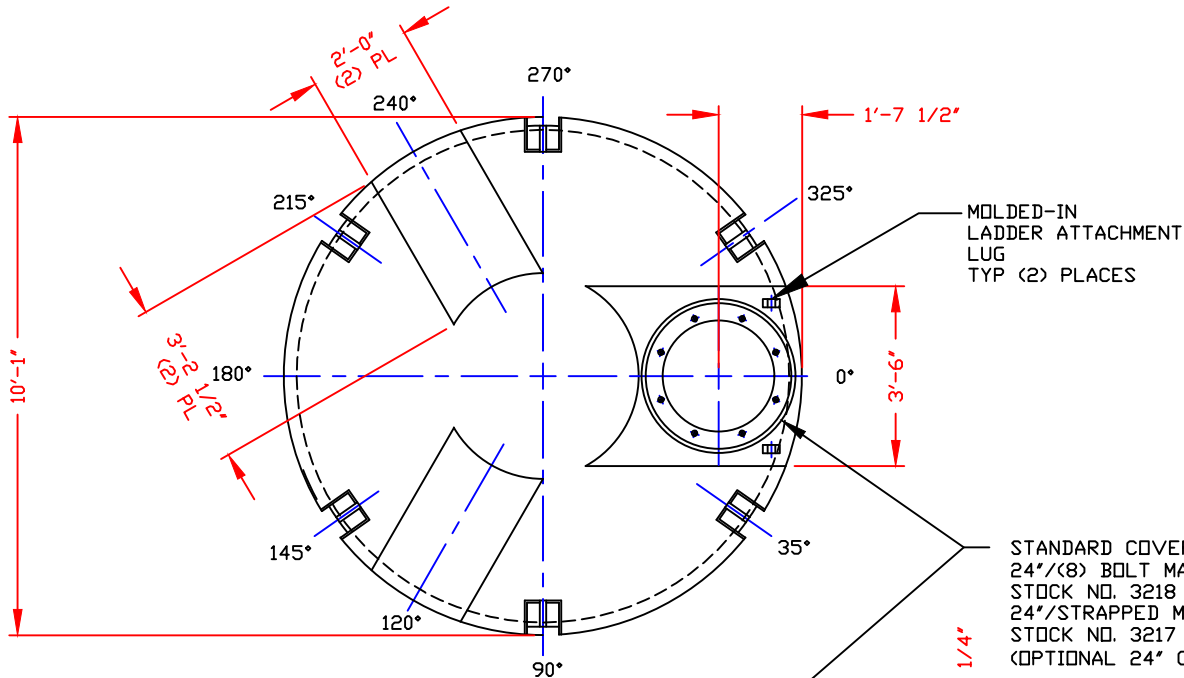


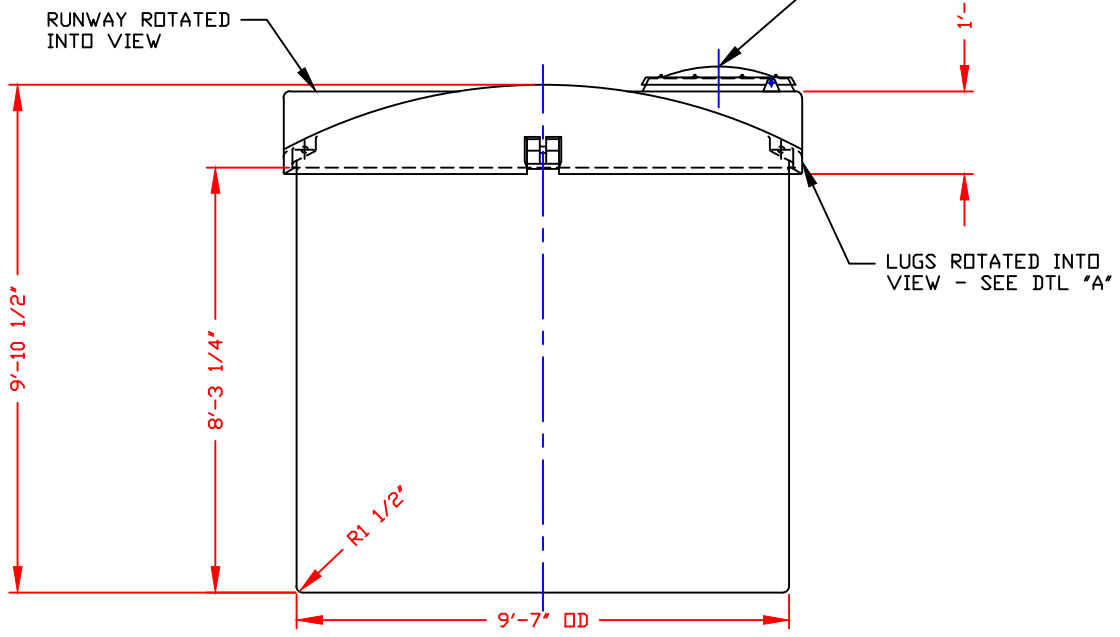
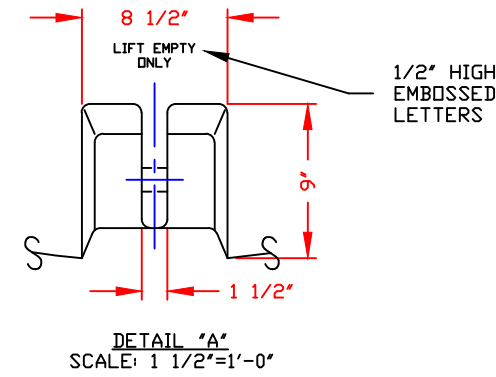
NON-CONTROLLED COPY  
 INFORMATION SUBJECT TO CHANGE WITHOUT NOTICE  
 VERIFY REV LEVEL OF PAPER COPY WITH REV LEVEL ON PPC WEB SITE

NOZZLE SCHEDULE & ACCESSORIES

SERVICE	MK	STOCK NO.	SIZE	FITTING	DEG	ELEV




STANDARD COVER:  
 24"/(8) BOLT MANWAY COVER/PE (SHOWN)  
 STOCK NO. 3218 OR  
 24"/STRAPPED MANWAY COVER/PE  
 STOCK NO. 3217  
 (OPTIONAL 24" COVERS AVAILABLE)



- NOTES:  
 1. THIS IS A COMPUTER GENERATED DWG. DO NOT REVISE BY HAND.  
 2. DIMENSIONS WILL VARY ±3% DUE TO VARIATIONS IN MULTIPLE MOLDS & CONDITIONS PREVALENT DURING MANUFACTURE & USAGE.  
 3. NO MOLDED IN GALLONAGE MARKERS THIS TANK.  
 4. FOR OUTER TANK DTLS SEE COMPUTER FILE NO. 12104950, TITLE "4350 GALLON OUTER SAFE-TANK/4950 GALLON OPEN TOP TANK." FOR ASSEMBLY DTLS SEE COMPUTER FILE NO. 12004350A, TITLE "4350 GALLON SAFE-TANK ASSEMBLY."

CALCULATED CAPACITIES/ VOLUME IN U.S. GALLONS		
DESIGN CAP	DOME VOL	TOTAL VOL
4385	437	4822

CONFIDENTIAL PROPERTY OF  
 POLY PROCESSING COMPANY  
 NOT FOR REPRINT OR USE  
 WITHOUT PERMISSION

DWG TITLE			4350 GALLON INNER SAFE-TANK		
SCALE:	3/8"=1'-0"		Western Region P.O. Box 98 9055 South Ash Street French Camp, CA 95031 (209) 982-4994 FAX (209) 982-0455	DR:	J. BRANTLEY
DATE:	10/18/18		CK:		
SHEET	1 OF 1	COMPUTER FILE	12004350	REV	-