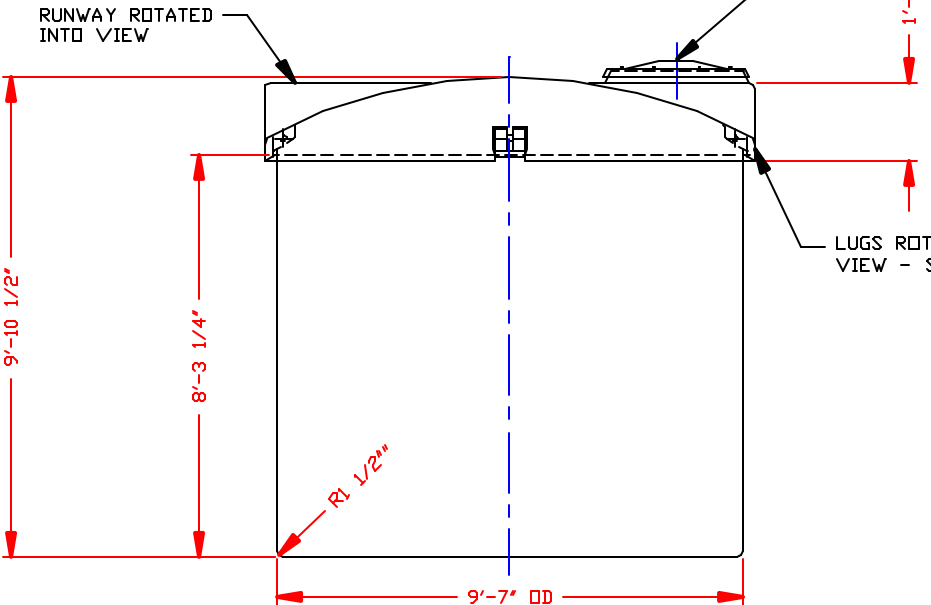
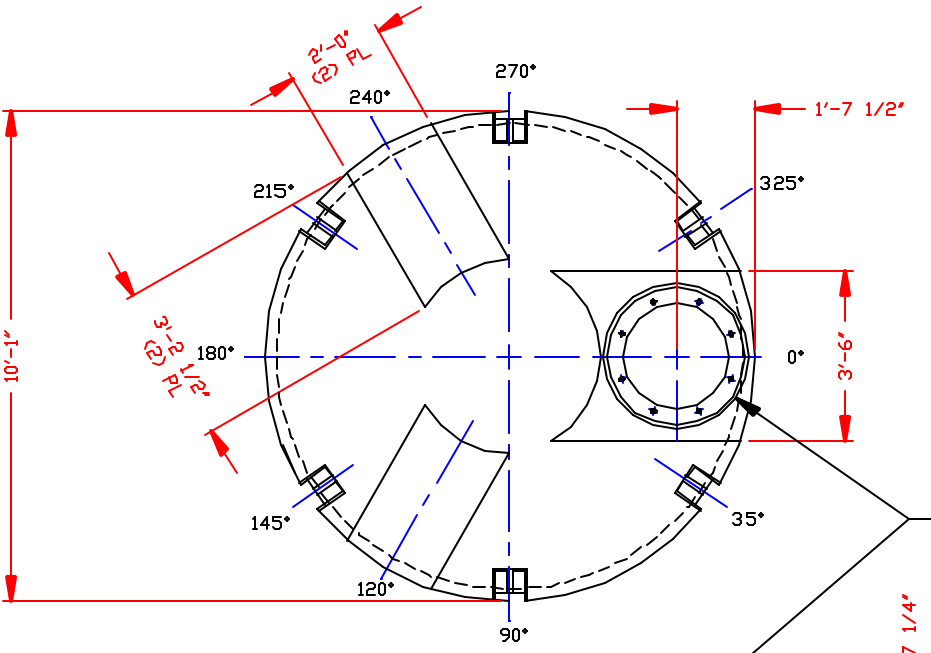


NON-CONTROLLED COPY
 INFORMATION SUBJECT TO CHANGE WITHOUT NOTICE
 COPY WILL NOT BE UPDATED

COPY ISSUED BY.....
 COPY ISSUED ON.....

NOZZLE SCHEDULE & ACCESSORIES

SERVICE	MK	STOCK NO.	SIZE	FITTING	DEG	ELEV



STANDARD COVER:
 24"/(8) BOLT MANWAY COVER/PE (SHOWN)
 STOCK NO. 3218 OR
 24"/STRAPPED MANWAY COVER/PE
 STOCK NO. 3217
 (OPTIONAL 24' COVERS AVAILABLE)

NOTES:
 1. THIS IS A COMPUTER GENERATED DWG. DO NOT REVISE BY HAND.
 2. DIMENSIONS WILL VARY ±3% DUE TO VARIATIONS IN MULTIPLE MOLDS & CONDITIONS PREVALENT DURING MANUFACTURE & USAGE.
 3. NO MOLDED IN GALLONAGE MARKERS THIS TANK.
 4. FOR OUTER TANK DTLS SEE COMPUTER FILE NO. 2104950, TITLE "4400 GALLON OUTER SAFE-TANK/4950 GALLON OPEN TOP TANK." FOR ASSEMBLY DTLS SEE COMPUTER FILE NO. 2004400A, TITLE "4400 GALLON SAFE-TANK ASSEMBLY."

CALCULATED CAPACITIES/ VOLUME IN U.S. GALLONS		
DESIGN CAP	DOME VOL	TOTAL VOL
4385	437	4822

CONFIDENTIAL PROPERTY OF
 POLY PROCESSING COMPANY
 NOT FOR REPRINT OR USE
 WITHOUT PERMISSION

DWG TITLE: 4400 GALLON INNER SAFE-TANK

SCALE: 3/8"=1'-0"

DATE: 12/7/99

DR: MB WILKERSON
 CKG: D. RECTOR

SHEET: 1 OF 1
 COMPUTER FILE: 2004400
 REV: A

POLY PROCESSING
 200 N. BRIDGE ST. #100
 MARIETTA, GA 30067
 770-429-4000
 FAX 770-429-4001

REV 'A' REDRAWN SHOWING MOLD MODIFICATIONS BY MBW 5/15/02 CKJJB