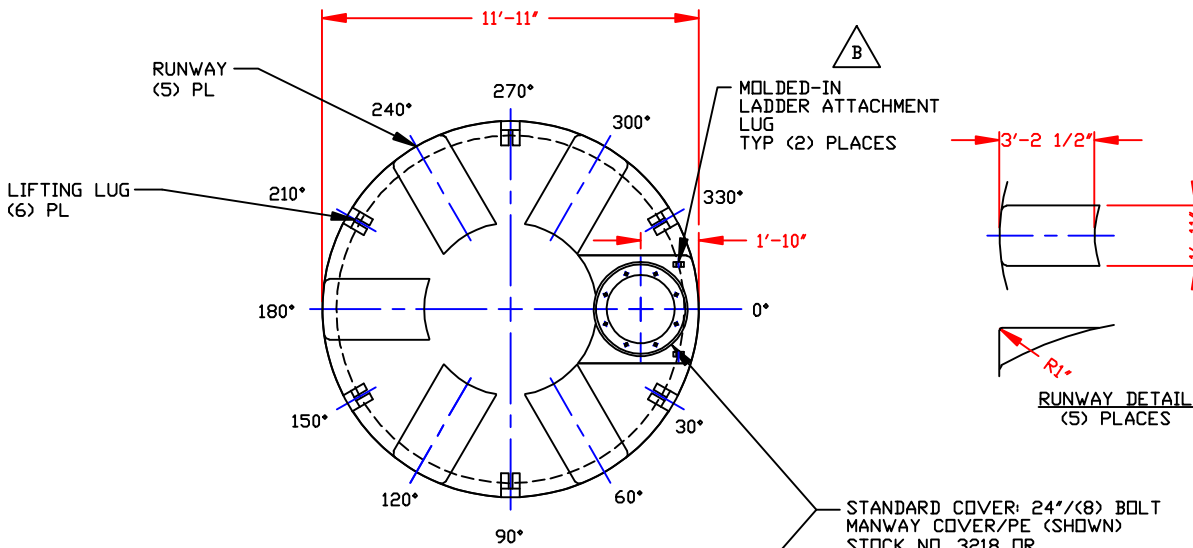
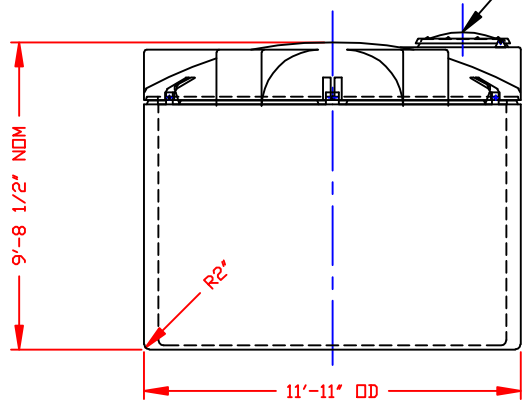


NON-CONTROLLED COPY
 INFORMATION SUBJECT TO CHANGE WITHOUT NOTICE
 VERIFY REV LEVEL OF PAPER COPY WITH REV LEVEL ON PPC WEB SITE



STANDARD COVER: 24"/(8) BOLT
 MANWAY COVER/PE (SHOWN)
 STOCK NO. 3218 OR
 24"/STRAPPED MANWAY COVER/PE
 STOCK NO. 3217
 (OPTIONAL 24" COVERS AVAILABLE)




NOTE:
 MUST USE FLEXIBLE
 CONNECTIONS ALL
 LOWER SIDEWALL
 FITTINGS

NOZZLE SCHEDULE & ACCESSORIES						
SERVICE	MK	STOCK NO.	SIZE	FITTING	DEG	ELEV

- NOTES**
1. THIS IS A COMPUTER GENERATED DWG. DO NOT REVISE BY HAND.
 2. DIMENSIONS WILL VARY ±3% DUE TO VARIATIONS IN MULTIPLE MOLDS & CONDITIONS PREVALENT DURING MANUFACTURE & USAGE.
 3. OVERALL HEIGHT DIMENSION WILL VARY WITH THE PENETRATION OF THE INNER TANK INTO THE OUTER TANK.
 4. FOR INNER TANK DTLS SEE COMPUTER FILE NO. 2005400, TITLE "5400 GALLON INNER SAFE-TANK" FOR OUTER TANK DTLS SEE COMPUTER FILE NO. 2106300, TITLE "5400 GALLON OUTER SAFE-TANK / 6300 GALLON OPEN TOP TANK."

CALCULATED CAPACITIES/ VOLUME IN U.S. GALLONS			
TANK	DESIGN CAP	DOME VOL	TOTAL VOL
INNER	5447	659	6106
OUTER	6346	N/A	6346

CONFIDENTIAL PROPERTY OF
 POLY PROCESSING COMPANY
 NOT FOR REPRINT OR USE
 WITHOUT PERMISSION

DWG TITLE			
5400 GALLON SAFE-TANK ASSEMBLY			
SCALE:	1/4"=1'-0"	 POLY PROCESSING COMPANY, LLC	DR:
DATE:	4/26/01		MB WILKERSON
Central Region P.O. Box 4550 #12510 2501 Old Washington Rd. Norcross, GA 30052 (770) 343-7825 FAX (770) 343-9795		CK:	J. BRANTLEY
SHEET		COMPUTER FILE	REV
1 OF 1		2005400A	E

- REV "D" ADDED RUNWAYS TO ELEV VIEW BY:JB 3/30/10 CK:SN
- REV "D" ADDED (3) RUNWAYS BY:JB 8/17/09 CK:WM
- REV "C" ADDED RUNWAY DETAIL BY:MBW 10/26/05 CK:JB
- REV "B" ADDED LADDER ATTACHMENT LUGS BY:JB 9/23/04 CK:WM
- REV "A" ADDED FITTING NOTE BY:MBW 4/16/03 CK:JB