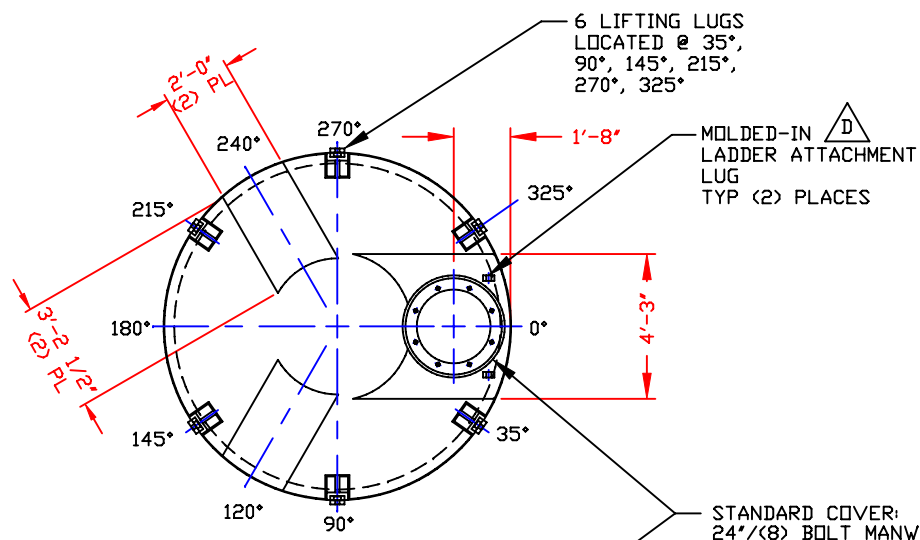
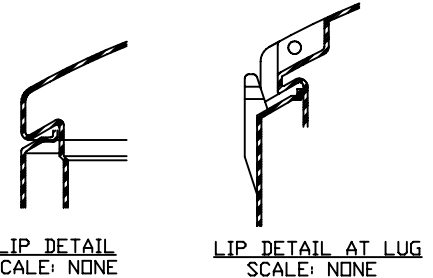


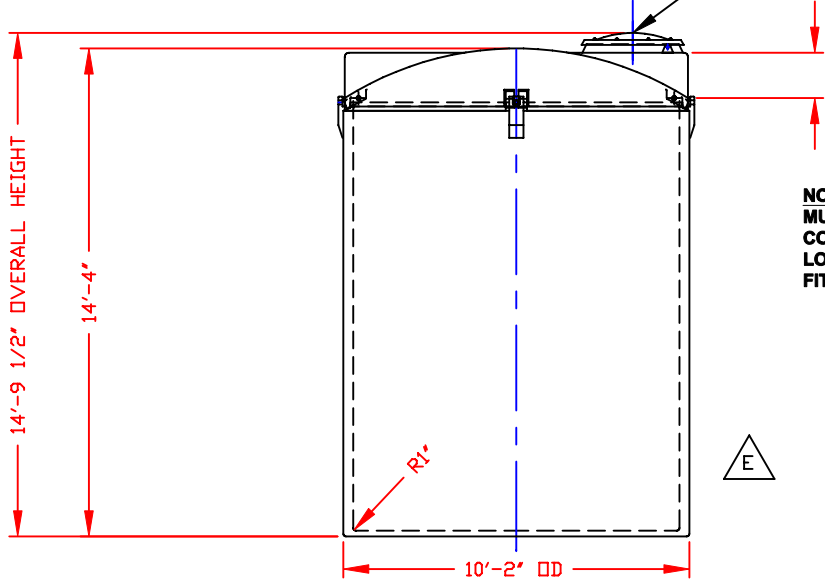
NON-CONTROLLED COPY
 INFORMATION SUBJECT TO CHANGE WITHOUT NOTICE
 VERIFY REV LEVEL OF PAPER COPY WITH REV LEVEL ON PPC WEB SITE



STANDARD COVER:
 24"/(8) BOLT MANWAY COVER/PE (SHOWN)
 STOCK NO. 3218 OR
 24"/STRAPPED MANWAY COVER/PE
 STOCK NO. 3217
 (OPTIONAL 24" COVERS AVAILABLE)



NOTE:
 MUST USE FLEXIBLE
 CONNECTIONS ALL
 LOWER SIDEWALL
 FITTINGS



NOZZLE SCHEDULE & ACCESSORIES					
SERVICE	MK	STOCK NO.	SIZE	FITTING	DEG ELEV

- NOTES:**
- THIS IS A COMPUTER GENERATED DWG. DO NOT REVISE BY HAND.
 - DIMENSIONS WILL VARY ±3% DUE TO VARIATIONS IN MULTIPLE MOLDS & CONDITIONS PREVALENT DURING MANUFACTURE & USAGE.
 - OVERALL HEIGHT DIMENSION WILL VARY WITH THE PENETRATION OF THE INSIDE TANK INTO THE OUTSIDE TANK.
 - FOR INNER TANK DTLS SEE COMPUTER FILE NO. 2006650, TITLE "6650 GALLON INNER SAFE-TANK" FOR OUTER TANK DTLS SEE COMPUTER FILE NO. 2107450, TITLE "6650 GALLON OUTER SAFE-TANK/7450 GALLON OPEN TOP TANK".

CALCULATED CAPACITIES/ VOLUME IN U.S. GALLONS			
TANK	DESIGN CAP	DOME VOL	TOTAL VOL
INNER	6667	420	7087
OUTER	7455	N/A	7455

CONFIDENTIAL PROPERTY OF
 POLY PROCESSING COMPANY
 NOT FOR REPRINT OR USE
 WITHOUT PERMISSION

DWG TITLE 6650 GALLON SAFE-TANK ASSEMBLY			
SCALE: 1/4"=1'-0"	 POLYPROCESSING COMPANY	Central Region P.O. Box 4150 (71211) 2201 Old Sterlington Rd. Monroeville, LA 70003 CUB 343-7565 FAX 337-343-8790	DR: MB WILKERSON CK: D. RECTOR
DATE: 12/7/99		SHEET 1 OF 1	COMPUTER FILE 2006650A

- REV "D" ADDED LADDER ATTACHMENT LUGS BY:JB 10/1/04 CK:WM
- REV "C" ADDED FITTING NOTE BY:MBW 4/16/03 CK:JB
- REV "B" MOLD MODIFICATION ADDING LIFTING LUGS & RUNWAYS BY:MBW 12/6/02 CK:JB
- REV "E" MOLD MOD. DELETED CHOCKS BY:MBW 11/1/07 CK:WM
- REV "A" ADDED DEGREES BY:MBW 2/28/01 CK:JB