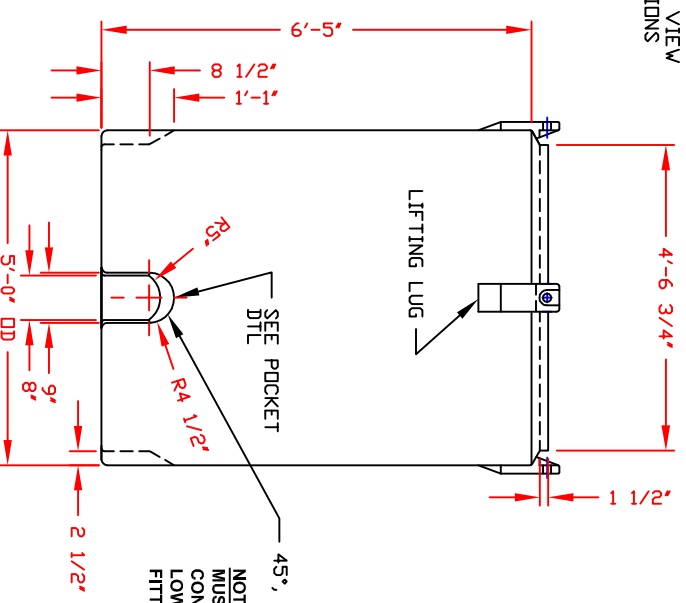
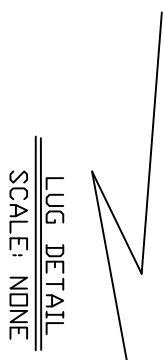
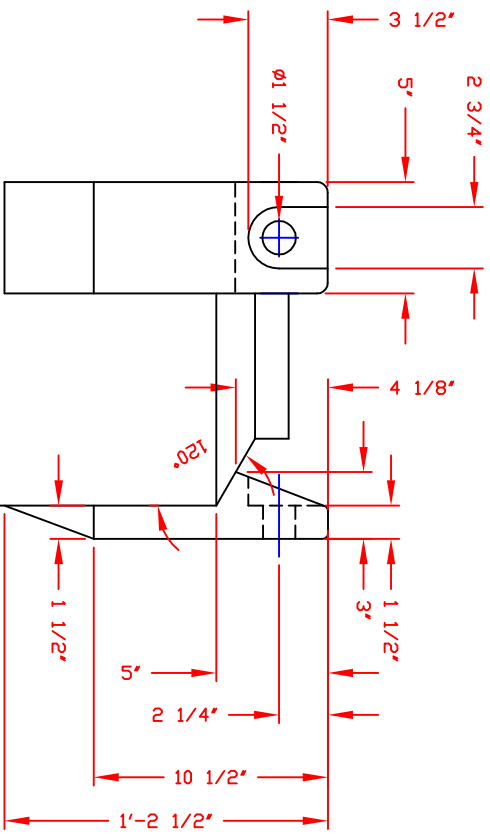
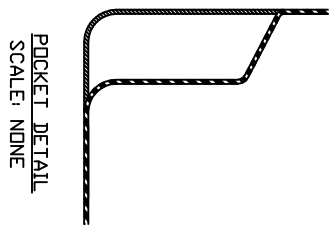
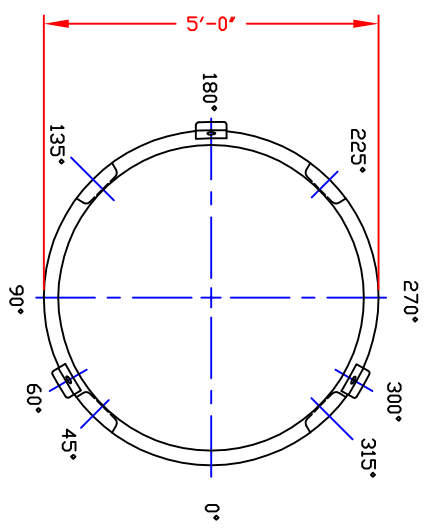


NON-CONTROLLED COPY  
 INFORMATION SUBJECT TO CHANGE WITHOUT NOTICE  
 VERIFY REV LEVEL OF PAPER COPY WITH REV LEVEL ON PDC WEB SITE



NOTE:  
 MUST USE FLEXIBLE  
 CONNECTIONS ALL  
 LOWER SIDEWALL  
 FITTINGS

NOTE: LUGS & POCKETS  
 ROTATED INTO VIEW FOR  
 CLARITY. SEE PLAN VIEW  
 FOR DEGREE LOCATIONS

NOTES:  
 1. THIS IS A COMPUTER GENERATED DWG. DO NOT REVISE BY HAND.  
 2. DIMENSIONS WILL VARY ±3% DUE TO VARIATIONS IN MULTIPLE  
 MOLDS & CONDITIONS PREVALENT DURING MANUFACTURE & USAGE.

CALCULATED CAPACITIES/ VOLUME IN U.S. GALLONS	
TANK DESIGN CAP/DOME VOLUME	944
OUTER	N/A 944

CONFIDENTIAL PROPERTY OF  
 POLY PROCESSING COMPANY  
 NOT FOR REPRINT OR USE  
 WITHOUT PERMISSION

DWG TITLE		750 GALLON OUTER SAFE-TANK/ 940 GALLON OPEN TOP TANK	
SCALE:	1/2"=1'-0"	DR:	B. THURMON
DATE:	01/09/2013	CK:	
POLY PROCESSING COMPANY, LTD.		Central Region P.O. Box 450, Cedar Rapid, IA 52405 Phone: 319-266-9999 Fax: 319-266-9999	
SHEET	1 OF 1	COMPUTER FILE	2100940
REV			