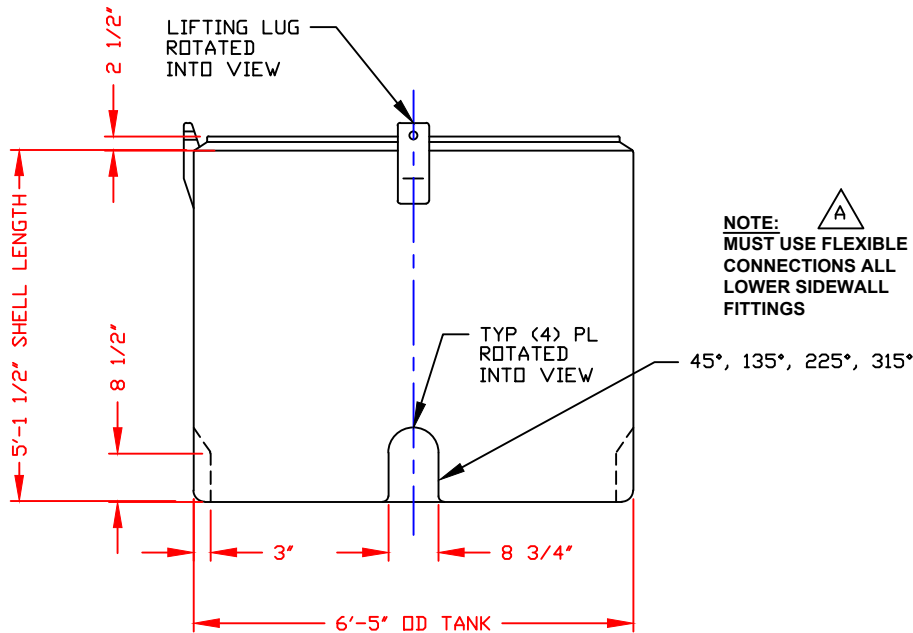
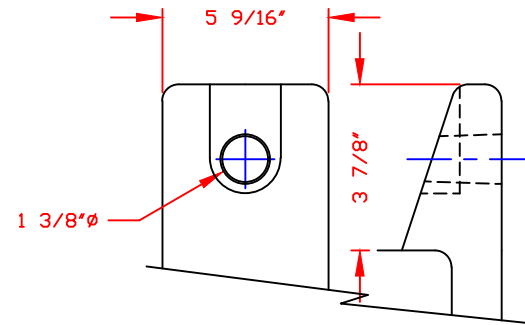
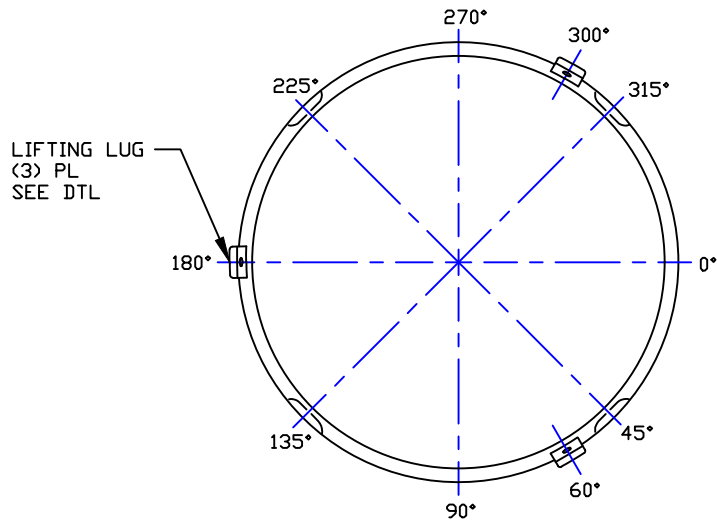



NON-CONTROLLED COPY
 INFORMATION SUBJECT TO CHANGE WITHOUT NOTICE
 VERIFY REV LEVEL OF PAPER COPY WITH REV LEVEL ON PPC WEB SITE



- NOTES:**
1. THIS IS A COMPUTER GENERATED DWG. DO NOT REVISE BY HAND.
 2. DIMENSIONS WILL VARY ±3% DUE TO VARIATIONS IN MULTIPLE MOLDS & CONDITIONS PREVALENT DURING MANUFACTURE & USAGE.
 3. FOR INNER TANK DTLS SEE COMPUTER FILE NO. 2001000. TITLE "1000 GALLON INNER SAFE-TANK." FOR ASSEMBLY SEE COMPUTER FILE NO. 2001000A, TITLE "1000 GALLON SAFE-TANK ASSEMBLY."

CALCULATED CAPACITY	VOLUME IN U.S. GALLONS
DESIGN CAPACITY	1215

CONFIDENTIAL PROPERTY OF
 POLY PROCESSING COMPANY
 NOT FOR REPRINT OR USE
 WITHOUT PERMISSION

DWG TITLE		1000 GALLON OUTER SAFE-TANK/ 1200 GALLON OPEN TOP TANK		
SCALE:	1/2"=1'-0"	 Central Region P.O. Box 4159 (71281) 2201 Old Springington Rd. Monroe, LA 71203 CDD: 343-7543 FAX: (504) 343-8795	DR:	J BAUGH
DATE:	1/28/02		CK:	J. BRANTLEY