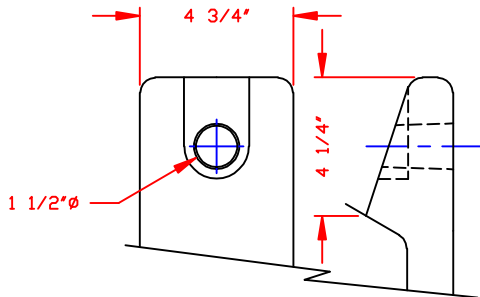
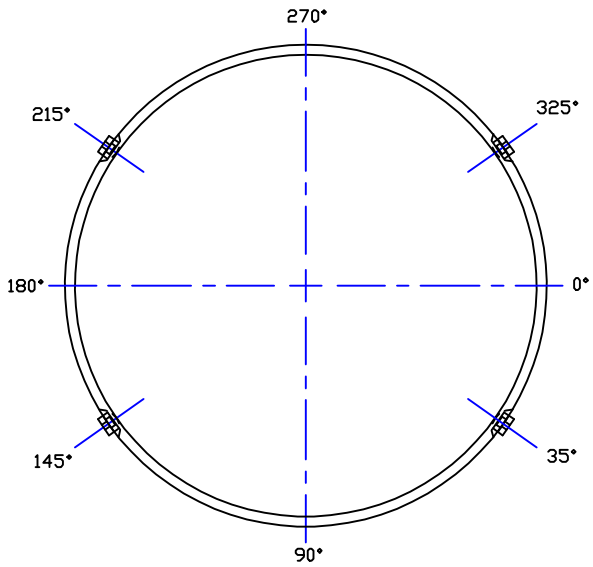


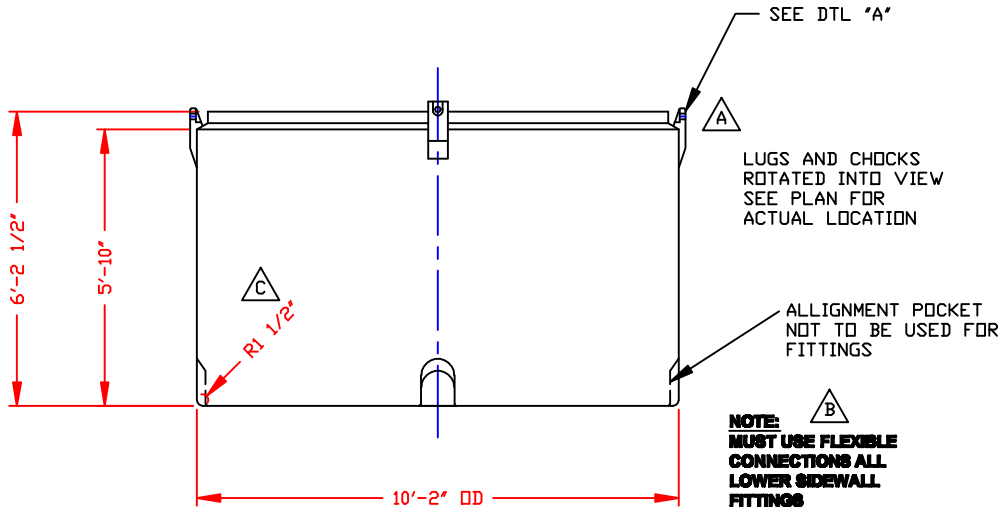
NON-CONTROLLED COPY  
 INFORMATION SUBJECT TO CHANGE WITHOUT NOTICE  
 COPY WILL NOT BE UPDATED

COPY ISSUED BY \_\_\_\_\_  
 COPY ISSUED ON \_\_\_\_\_

NOZZLE SCHEDULE & ACCESSORIES						
SERVICE	MK	STOCK NO.	SIZE	FITTING	DEG	ELEV



LUG DETAIL "A"  
 SCALE: 1 1/2" = 1'-0"



NOTES:

- THIS IS A COMPUTER GENERATED DWG. DO NOT REVISE BY HAND.
- DIMENSIONS WILL VARY  $\pm 3\%$  DUE TO VARIATIONS IN MULTIPLE MOLDS & CONDITIONS PREVALENT DURING MANUFACTURE & USAGE.
- FOR INNER TANK DTLS SEE COMPUTER FILE NO. 2003150, TITLE "3150 GALLON INNER SAFE-TANK" FOR ASSEMBLY DTLS SEE COMPUTER FILE NO. 2003150A, TITLE "3150 GALLON SAFE-TANK ASSEMBLY."

CALCULATED CAPACITY	VOLUME IN U.S. GALLONS
DESIGN CAPACITY	3551

CONFIDENTIAL PROPERTY OF  
 POLY PROCESSING COMPANY  
 NOT FOR REPRINT OR USE  
 WITHOUT PERMISSION

DWG TITLE	3150 GALLON OUTER SAFE-TANK/ 3550 GALLON OPEN TOP TANK				
SCALE: 3/8"=1'-0"	<b>POLY PROCESSING Company</b>	Grand Prairie, P.O. Box 4150 07152 2201 Old Worthington Rd. Norcross, GA 30051 Call 343-7565 Fax 343-4795		DR: MB WILKERSON CK: D. RECTOR	
DATE: 12/6/99		SHEET	COMPUTER FILE	REV	
		1 OF 1	2103550	C	

REV "C" REVISED RADIUS BY:JB 3/2/10 CK:WM  
 REV "B" ADDED FITTING NOTE BY:MBW 4/16/03 CK:JB  
 REV "A" MODIFICATION TO MOLD BY:MBW 9/10/02 CK:JB