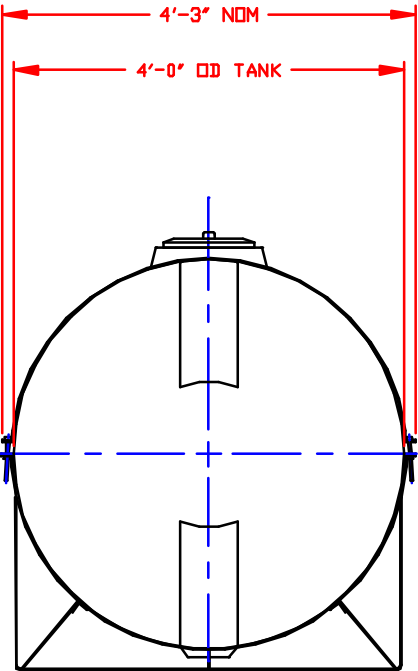
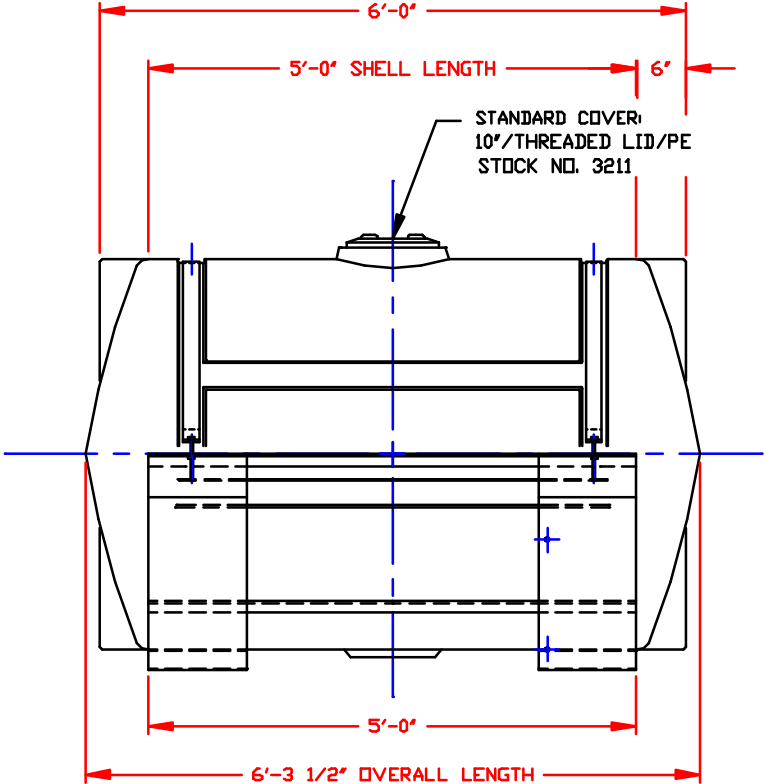


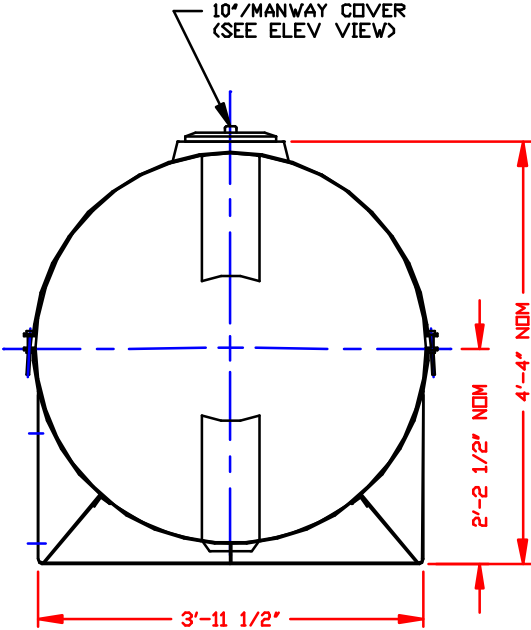
NON-CONTROLLED COPY INFORMATION SUBJECT TO CHANGE WITHOUT NOTICE COPY WILL <u>NOT</u> BE UPDATED	COPY ISSUED BY..... COPY ISSUED ON.....
--	--



LEFT END



ELEVATION



RIGHT END

NOTES

1. THIS IS A COMPUTER GENERATED DWG. DO NOT REVISE BY HAND.
2. DIMENSIONS WILL VARY ±3% DUE TO VARIATIONS IN MULTIPLE MOLDS & CONDITIONS PREVALENT DURING MANUFACTURE & USAGE.
3. MOLDED IN GALLONAGE MARKERS UP TO 500 GAL IN RIGHT END ONLY.
4. FOR TANK DTLS SEE COMPUTER FILE NO. 3000520 FOR SKID DTLS SEE COMPUTER FILE NO. M3456.

CALCULATED CAPACITY
VOLUME IN U.S. GALLONS
DESIGN CAPACITY
522

CONFIDENTIAL PROPERTY OF
 POLY PROCESSING COMPANY
 NOT FOR REPRINT OR USE
 WITHOUT PERMISSION

DWG TITLE			
520 GALLON HORIZONTAL TANK & SKID			
SCALE:	3/4"=1'-0"		DR:
DATE:	1/19/00		MB WILKERSON
		<small> General Register P.O. Box 488, Grand Haven, MI 49431 616-845-7700 616-845-7701 FAX 616-845-0750 </small>	CK:
			J. BRANTLEY
		SHEET	COMPUTER FILE
		1 OF 1	3000520S
			REV
			-