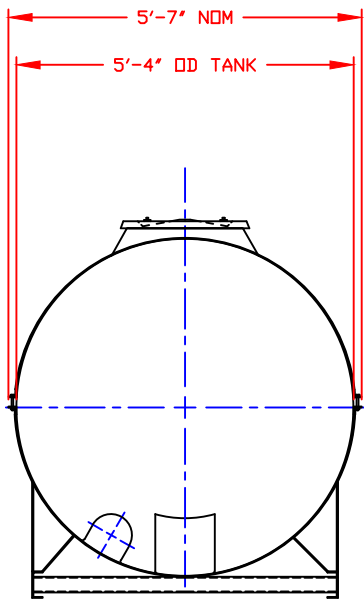
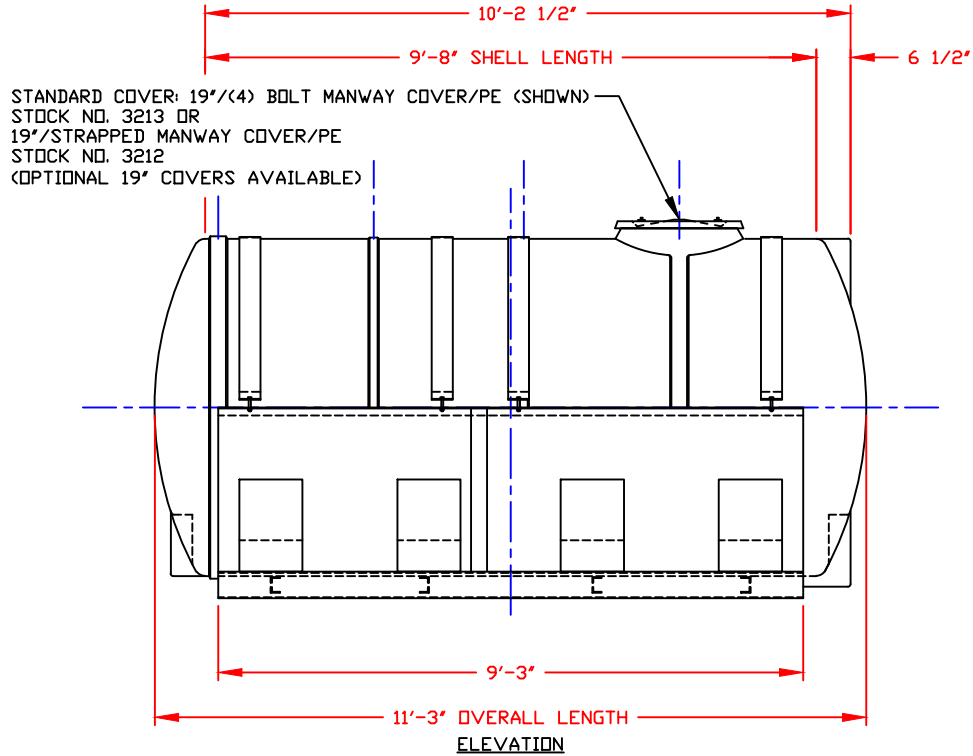


NON-CONTROLLED COPY
 INFORMATION SUBJECT TO CHANGE WITHOUT NOTICE
 VERIFY REV LEVEL OF PAPER COPY WITH REV LEVEL ON PPC WEB SITE

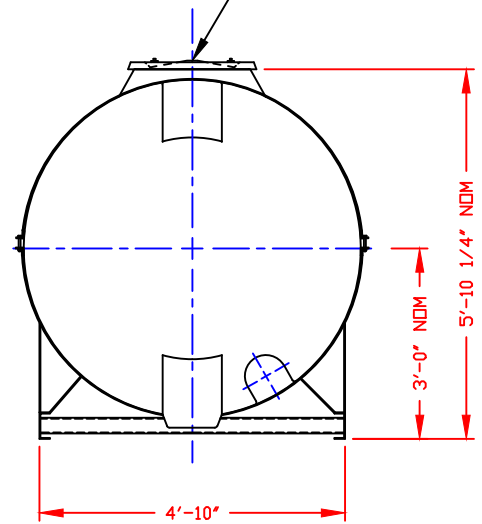


LEFT END



STANDARD COVER: 19"/(4) BOLT MANWAY COVER/PE (SHOWN)
 STOCK NO. 3213 OR
 19"/STRAPPED MANWAY COVER/PE
 STOCK NO. 3212
 (OPTIONAL 19' COVERS AVAILABLE)

19"/MANWAY COVER
 (SEE ELEV VIEW)




RIGHT END

CALCULATED CAPACITY	VOLUME IN U.S. GALLONS
DESIGN CAPACITY	1704

CONFIDENTIAL PROPERTY OF
 POLY PROCESSING COMPANY
 NOT FOR REPRINT OR USE
 WITHOUT PERMISSION

NOTES

1. THIS IS A COMPUTER GENERATED DWG. DO NOT REVISE BY HAND.
2. DIMENSIONS WILL VARY ±3% DUE TO VARIATIONS IN MULTIPLE MOLDS & CONDITIONS PREVALENT DURING MANUFACTURE & USAGE.
3. NO GALLONAGE MARKERS THIS TANK.
4. ALL CORNERS TO HAVE 1/2" RADIUS UNLESS SPECIFIES OTHERWISE.
5. FOR TANK DTLS SEE COMPUTER FILE NO. 3001700
 FOR SKID DTLS SEE COMPUTER FILE NO. M3462.

DWG TITLE		1700 GALLON HORIZONTAL TANK & SKID		
SCALE:	1/2"=1'-0"	 Central Region P.O. Box 4599 2284 Old Worthington Rd. Norcross, GA 30092 (770) 343-7825 FAX (770) 343-9795	DR:	MB WILKERSON
DATE:	1/20/00		CK:	J. BRANTLEY
		SHEET	COMPUTER FILE	REV
		1 OF 1	3001700S	-