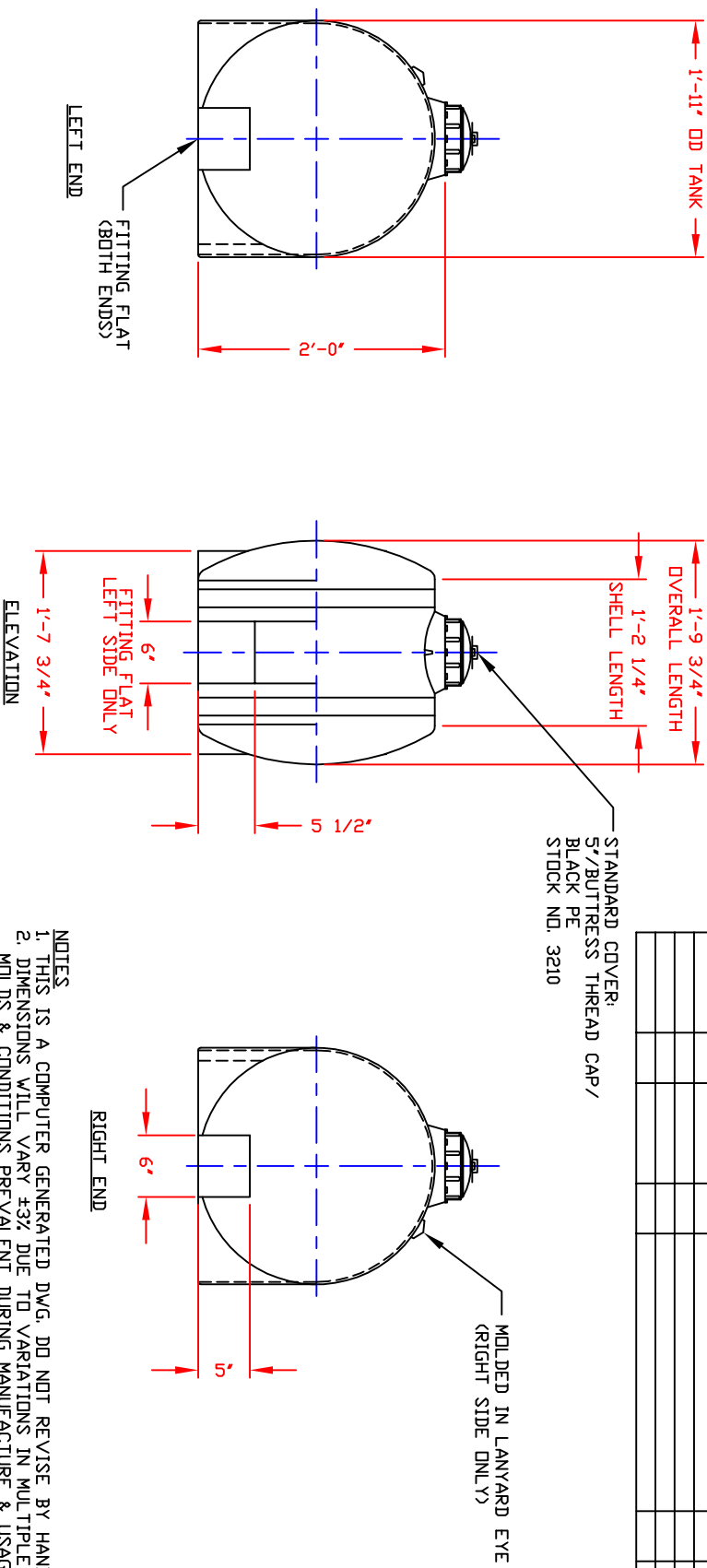


NON-CONTROLLED COPY  
 INFORMATION SUBJECT TO CHANGE WITHOUT NOTICE  
 VERIFY REV LEVEL OF PAPER COPY WITH REV LEVEL ON PPC WEB SITE

NOZZLE SCHEDULE & ACCESSORIES		DEG ELEV
SERVICE	MK STOCK NO/ SIZE	FITTING

STANDARD COVER:  
 5" BUTTRESS THREAD CAP/  
 BLACK PE  
 STOCK NO. 3210




**NOTES**  
 1. THIS IS A COMPUTER GENERATED DWG. DO NOT REVISE BY HAND.  
 2. DIMENSIONS WILL VARY ±3% DUE TO VARIATIONS IN MULTIPLE MOLDS & CONDITIONS PREVALENT DURING MANUFACTURE & USAGE.  
 3. MOLDED IN GALLONAGE MARKERS ON LEFT END IN 5 GAL INCREMENTS FROM 5 GAL TO 30 GAL.

CALCULATED CAPACITY  
 VOLUME IN U.S. GALLONS  
 DESIGN CAPACITY  
 31

CONFIDENTIAL PROPERTY OF  
 POLY PROCESSING COMPANY  
 NOT FOR REPRINT OR USE  
 WITHOUT PERMISSION

DWG TITLE  
**30 GALLON HORIZONTAL LEG TANK**

SCALE:	1"=1'-0"	 <b>POLY PROCESSING COMPANY</b>	Central Region P.O. Box 488 2500 S. 20th Street Phoenix, AZ 85061 TEL: (602) 345-7425 FAX: (602) 345-9798
DATE:	7/20/00		
DR:		MB WILKERSON	
SHEET:		1 OF 1	
COMPUTER FILE:		3400030	
REV:		-	