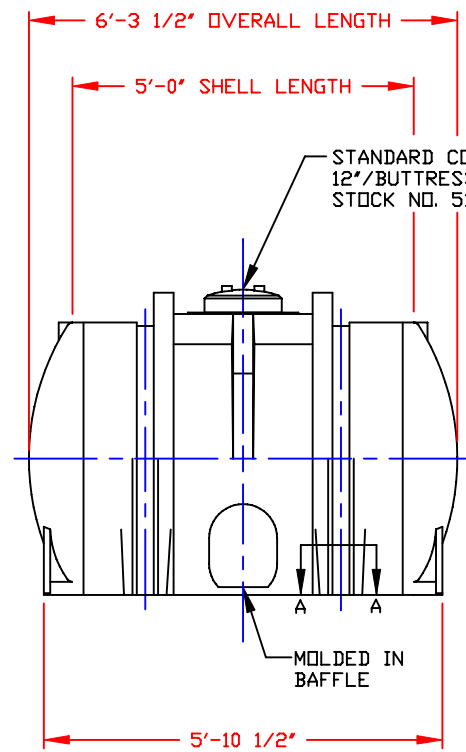
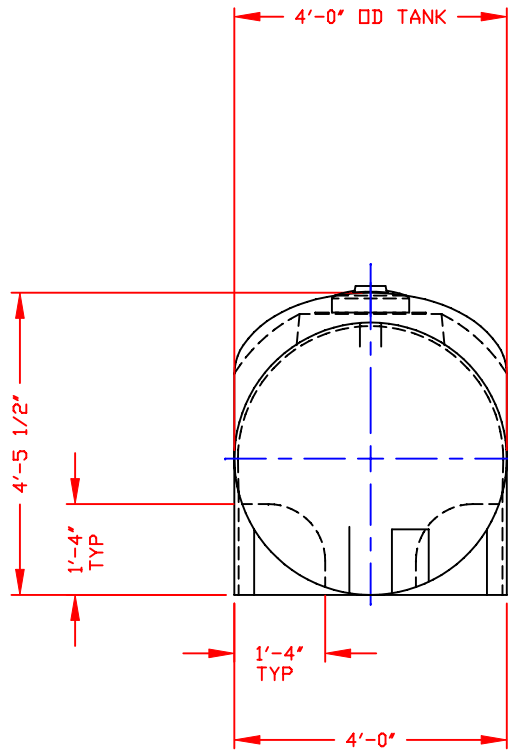
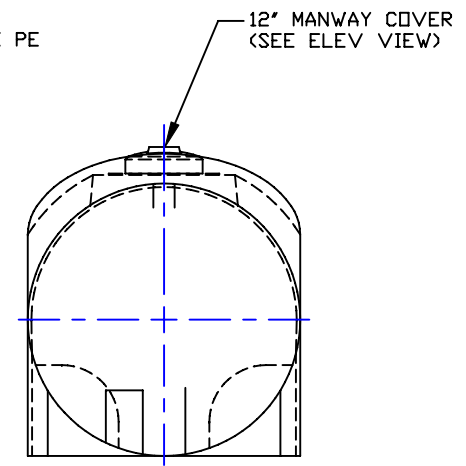


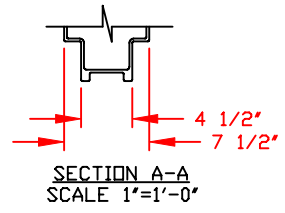
NON-CONTROLLED COPY
 INFORMATION SUBJECT TO CHANGE WITHOUT NOTICE
 VERIFY REV LEVEL OF PAPER COPY WITH REV LEVEL ON PPC WEB SITE



A




- NOTES**
1. THIS IS A COMPUTER GENERATED DWG. DO NOT REVISE BY HAND.
 2. DIMENSIONS WILL VARY ±3% DUE TO VARIATIONS IN MULTIPLE MOLDS & CONDITIONS PREVALENT DURING MANUFACTURE & USAGE.
 3. MOLDED IN GALLONAGE MARKERS IN ONE END IN 50 GAL INCREMENTS STARTING @ 100 GAL UP TO 500 GAL. AVOID WHEN PLACING FITTINGS.



CALCULATED CAPACITIES/ VOLUME IN U.S. GALLONS
DESIGN CAPACITY
515

CONFIDENTIAL PROPERTY OF
 POLY PROCESSING COMPANY
 NOT FOR REPRINT OR USE
 WITHOUT PERMISSION

DWG TITLE		515 GALLON HORIZONTAL LEG TANK	
SCALE:	1/2"=1'-0"	 POLYPROCESSING COMPANY	DR: MB WILKERSON
DATE:	2/9/00		CK: D. RECTOR
		SHEET	COMPUTER FILE
		1 OF 1	3400515 A

REV "A" DID SAY "17"/BUTTRESS..." BY:MBW 7/31/07 CK:JB