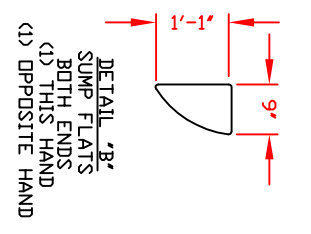
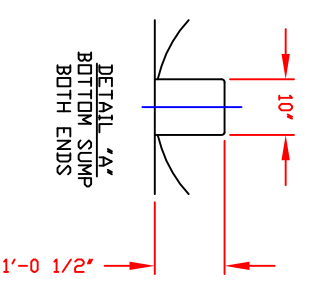
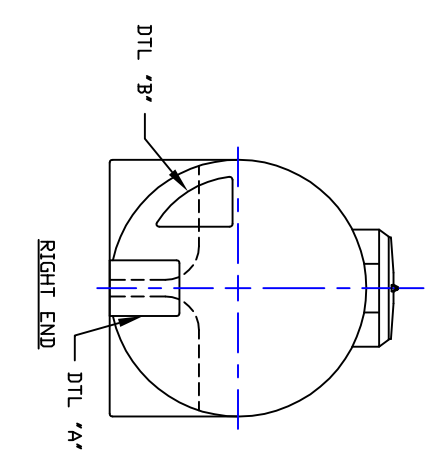
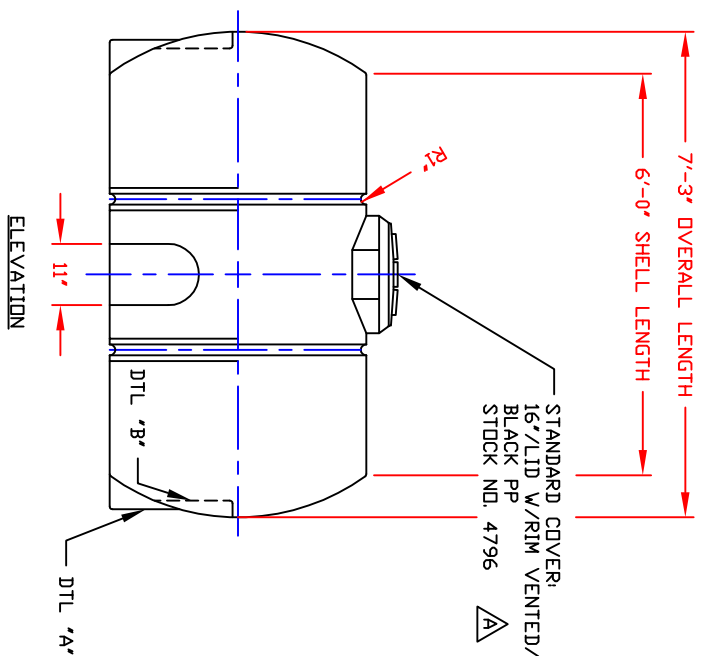
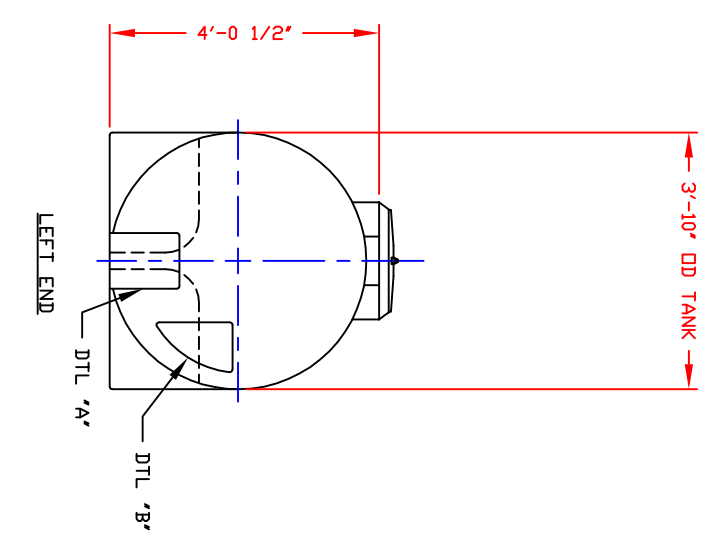


NON-CONTROLLED COPY
 INFORMATION SUBJECT TO CHANGE WITHOUT NOTICE
 VERIFY REV LEVEL OF PAPER COPY WITH REV LEVEL ON PPC WEB SITE



- NOTES**
1. THIS IS A COMPUTER GENERATED DWG. DO NOT REVISE BY HAND.
 2. DIMENSIONS WILL VARY ±3% DUE TO VARIATIONS IN MULTIPLE MOLDS & CONDITIONS PREVALENT DURING MANUFACTURE & USAGE.
 3. MOLDED IN GALLONAGE MARKER ON BOTH ENDS IN 100 GAL INCREMENTS UP TO 500 W/TIC MARKS IN BETWEEN.

CALCULATED CAPACITIES/
 VOLUME IN U.S. GALLONS
 DESIGN CAPACITY
 550

CONFIDENTIAL PROPERTY OF
 POLY PROCESSING COMPANY
 NOT FOR REPRINT OR USE
 WITHOUT PERMISSION

DWG TITLE		550 GALLON HORIZONTAL LEG TANK	
SCALE:	1/2"=1'-0"	DR: MB WILKERSON	
DATE:	2/25/00	CK: D. RECTOR	
		Central Region P.O. Box 458, Grand Rapids, MI 49508 (616) 352-7462 FAX: (616) 352-9795	
SHEET	1 OF 1	COMPUTER FILE	3400550
REV			A