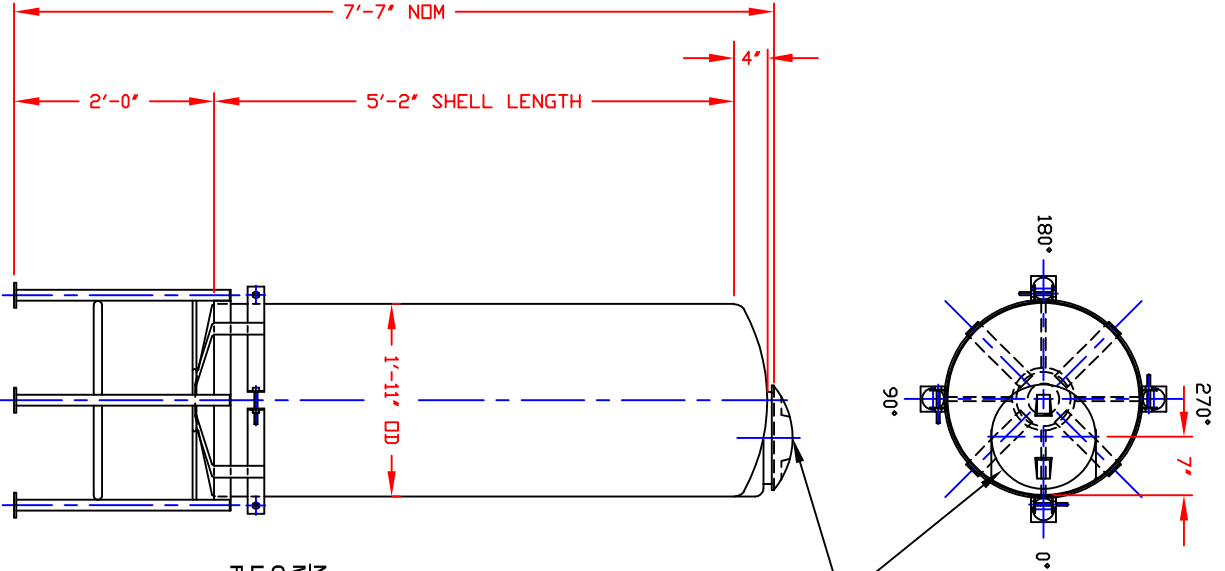


NON-CONTROLLED COPY
 INFORMATION SUBJECT TO CHANGE WITHOUT NOTICE
 VERIFY REV LEVEL OF PAPER COPY WITH REV LEVEL ON PPC WEB SITE



STANDARD COVER:
 10\"/>

NOTE:
 MUST USE FLEXIBLE
 CONNECTIONS ALL
 LOWER SIDEWALL
 FITTINGS

SERVICE	MK STOCK	NOZZLE SCHEDULE & ACCESSORIES	NOI SIZE	FITTING	DEG	ELEV

- NOTES**
1. THIS IS A COMPUTER GENERATED DWG. DD NOT REVISE BY HAND.
 2. DIMENSIONS WILL VARY ±3% DUE TO VARIATIONS IN MULTIPLE MOLDS & CONDITIONS PREVALENT DURING MANUFACTURE & USAGE.
 3. MOLDED IN GALLONAGE MARKERS @ 0° IN 10 GAL INCREMENTS UP TO 100 GAL.
 4. FOR TANK DETAILS SEE DWG COMPUTER FILE 4000105.

CALCULATED CAPACITIES/ VOLUME IN U.S. GALLONS	
DESIGN CAP DOME VOLUME VOLUME	
109	112
3	3

CONFIDENTIAL PROPERTY OF
 POLY PROCESSING COMPANY
 NOT FOR REPRINT OR USE
 WITHOUT PERMISSION

DWG TITLE: **105 GALLON 15° CONE BOTTOM TANK WITH 2 FT STEEL STAND**

SCALE: 3/4"=1'-0"

DATE: 1-10-00

DR: D. RECTOR

CK: J. BRANTLEY

SHEET: 1 OF 1

COMPUTER FILE: 40001055

REV: B

REV 'B' ADDED FITTING NOTE BY:JUB 6/10/03 CK:MBV
 REV 'A' REVISED LID BY:JUB 6/10/03 CK:MBV