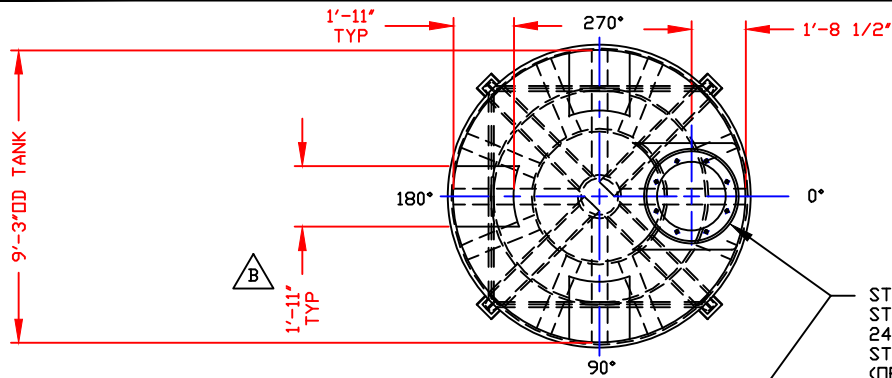
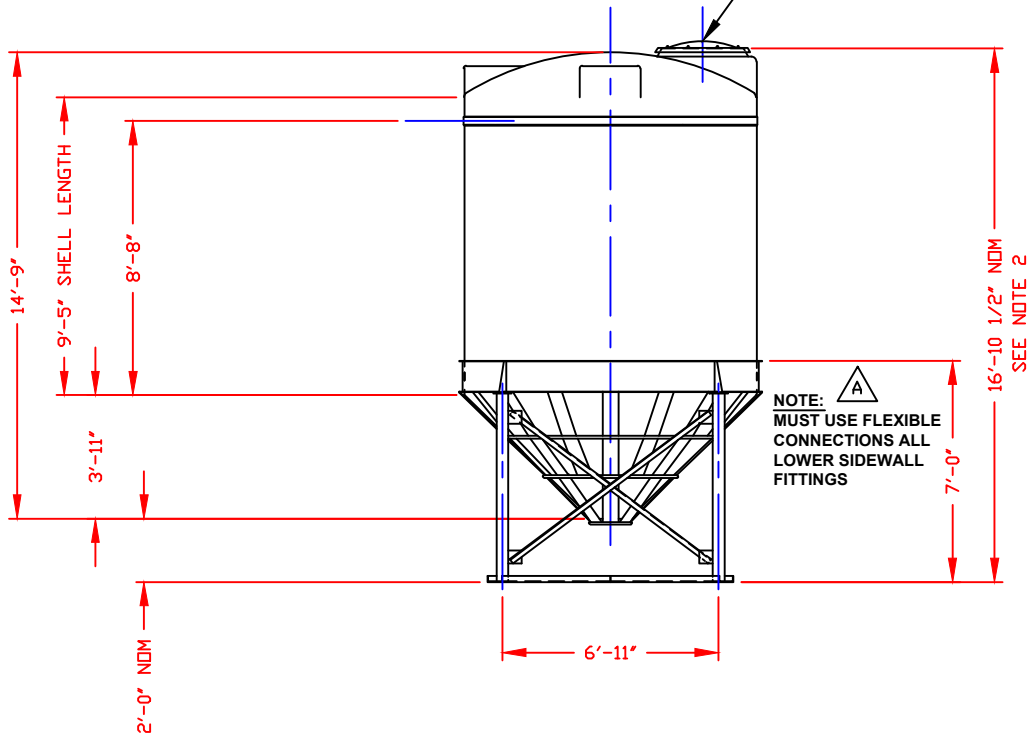


NON-CONTROLLED COPY
 INFORMATION SUBJECT TO CHANGE WITHOUT NOTICE
 VERIFY REV LEVEL OF PAPER COPY WITH REV LEVEL ON PPC WEB SITE



NOZZLE SCHEDULE & ACCESSORIES						
SERVICE	MK	STOCK NO.	SIZE	FITTING	DEG	ELEV

STANDARD COVER: 24"/(8) BOLT MANWAY COVER/PE (SHOWN)
 STOCK NO. 3218 DR
 24"/STRAPPED MANWAY COVER/PE
 STOCK NO. 3217
 (OPTIONAL 24" COVERS AVAILABLE)




NOTE: **A**
 MUST USE FLEXIBLE CONNECTIONS ALL LOWER SIDEWALL FITTINGS

NOTES

1. THIS IS A COMPUTER GENERATED DWG. DO NOT REVISE BY HAND.
2. DIMENSIONS WILL VARY ±3% DUE TO VARIATIONS IN MULTIPLE MOLDS & CONDITIONS PREVALENT DURING MANUFACTURE & USAGE. WHEN FILLED, TANK MAY SETTLE IN STAND CAUSING VARIATIONS IN BOTTOM CLEARANCE & OVERALL HEIGHT DIM.
3. 5" WIDE MOLDED IN GALLONAGE MARKERS @ APPROX 5" UP TO 4800 GAL. AVOID WHEN PLACING FITTINGS.

CALCULATED CAPACITIES/ VOLUME IN U.S. GALLONS		
DESIGN CAP	DOME VOL	TOTAL VOL
5379	315	5694

CONFIDENTIAL PROPERTY OF
 POLY PROCESSING COMPANY
 NOT FOR REPRINT OR USE
 WITHOUT PERMISSION

DWG TITLE			
5350 GALLON 45° CONE BOTTOM TANK W/STAND			
SCALE:	1/4"=1'-0"	 Central Region P.O. Box 488 (75183) 25th St. & Springtown Rd. Norcross, GA 30092 (770) 343-7862 FAX (770) 343-9795	DR: MB WILKERSON
DATE:	2/2/00		CK: D. RECTOR
REV *B* ADDED FITTING FLATS BY:JB 4/25/13 CK:WM		SHEET	COMPUTER FILE
REV *A* ADDED FITTING NOTE BY:JB 11/6/03 CK:MBW		1 OF 1	4005350S B