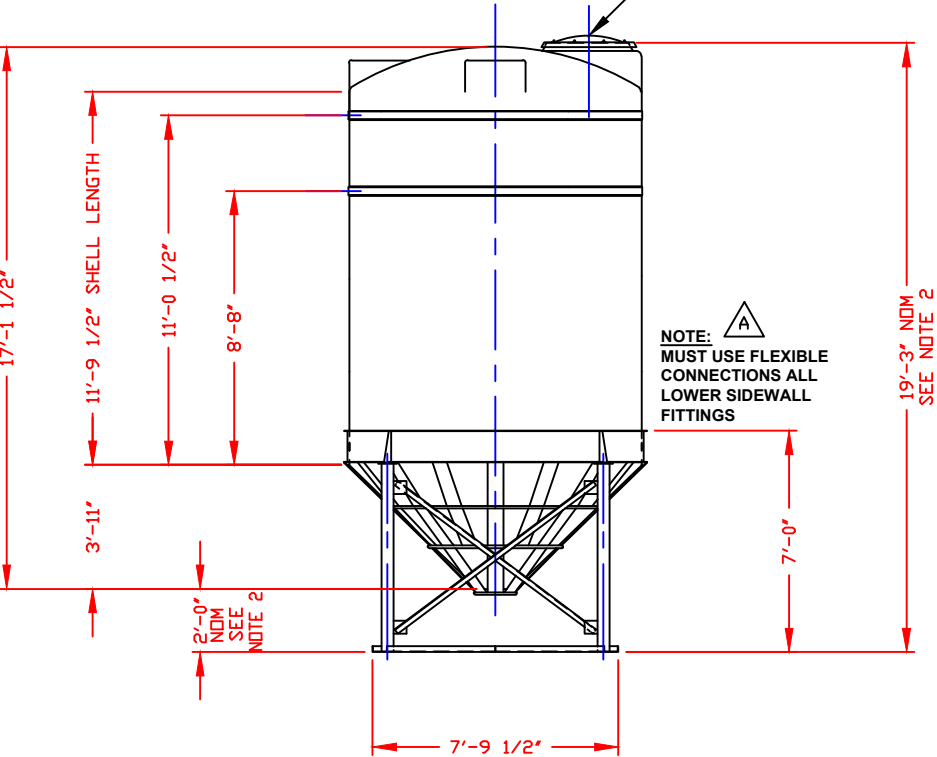
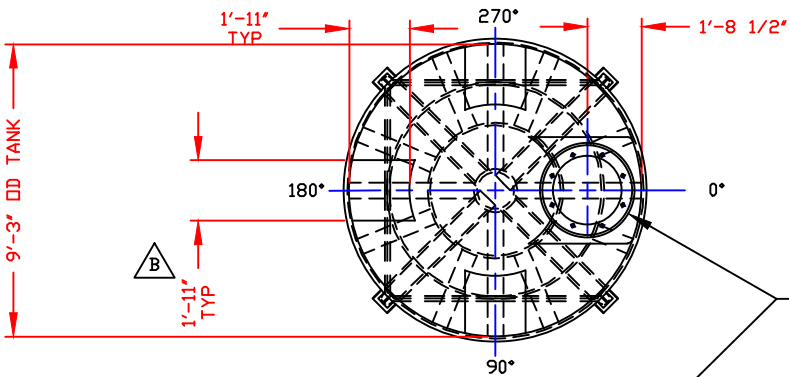


NON-CONTROLLED COPY  
 INFORMATION SUBJECT TO CHANGE WITHOUT NOTICE  
 VERIFY REV LEVEL OF PAPER COPY WITH REV LEVEL ON PPC WEB SITE



NOZZLE SCHEDULE & ACCESSORIES						
SERVICE	MK	STOCK NO.	SIZE	FITTING	DEG	ELEV

STANDARD COVER: 24"/(8) BOLT MANWAY COVER/PE (SHOWN)  
 STOCK NO. 3218 DR  
 24"/STRAPPED MANWAY COVER/PE  
 STOCK NO. 3217  
 (OPTIONAL 24" COVERS AVAILABLE)

NOTE: **A**  
 MUST USE FLEXIBLE CONNECTIONS ALL LOWER SIDEWALL FITTINGS

- NOTES:
1. THIS IS A COMPUTER GENERATED DWG. DO NOT REVISE BY HAND.
  2. DIMENSIONS WILL VARY ±3% DUE TO VARIATIONS IN MULTIPLE MOLDS & CONDITIONS PREVALENT DURING MANUFACTURE & USAGE. WHEN FILLED TANK MAY SETTLE IN STAND CAUSING VARIATIONS IN BOTTOM CLEARANCE & OVERALL HEIGHT DIM.
  3. 5" WIDE MOLDED IN GALLONAGE MARKERS @ APPROX ±5%. AVOID WHEN PLACING FITTINGS.

CALCULATED CAPACITIES/ VOLUME IN U.S. GALLONS		
DESIGN CAP	DOME VOL	TOTAL VOL
6539	314	6853

CONFIDENTIAL PROPERTY OF  
 POLY PROCESSING COMPANY  
 NOT FOR REPRINT OR USE  
 WITHOUT PERMISSION

DWG TITLE 6500 45° CONE BOTTOM TANK W/STAND			
SCALE: 1/4"=1'-0"		Central Region P.O. Box 4180 Grand Barr, Old Shorthouse Rd. New Orleans, LA 70120 CSD: 343-7825 FAX: (504) 343-9795	DR: MB WILKERSON
DATE: 2/2/00		POLYPROCESSING SOLUTIONS, SIMPLIFIED.	CK: D. RECTOR
REV *B* ADDED FITTING FLATS BY:JB 4/25/13 CK:WM REV *A* ADDED FITTING NOTE BY:JB 11/6/03 CK:MBW		SHEET 1 OF 1	COMPUTER FILE 4006500S B