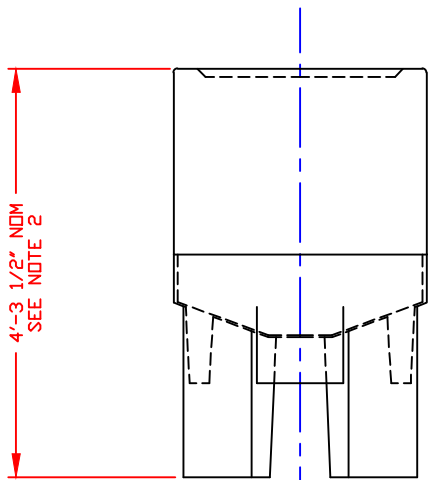
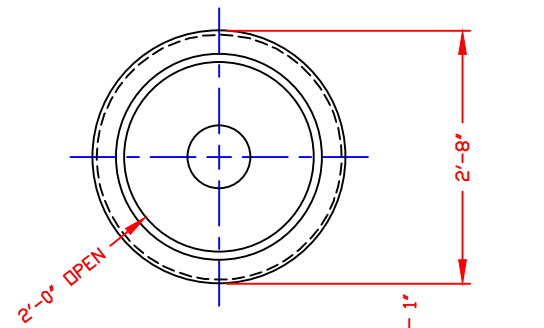
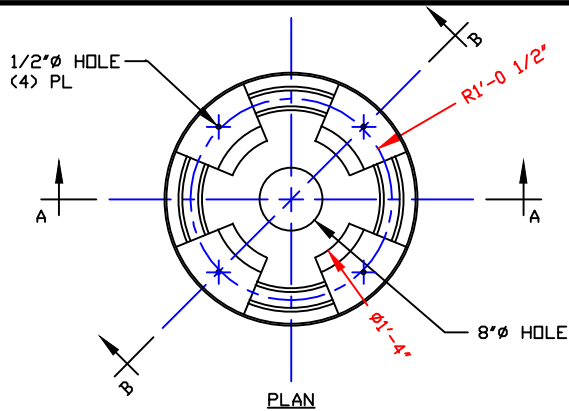
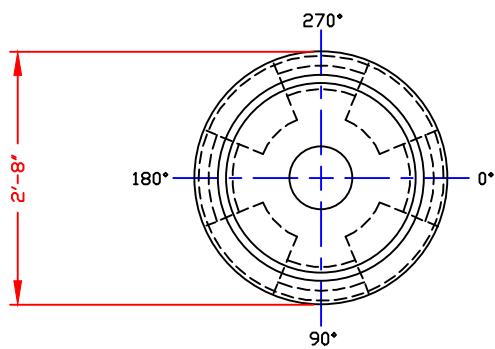
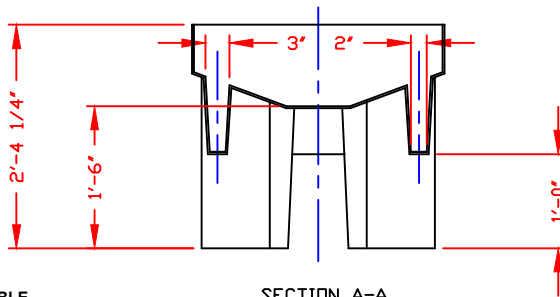


NON-CONTROLLED COPY
 INFORMATION SUBJECT TO CHANGE WITHOUT NOTICE
 VERIFY REV LEVEL OF PAPER COPY WITH REV LEVEL ON PPC WEB SITE



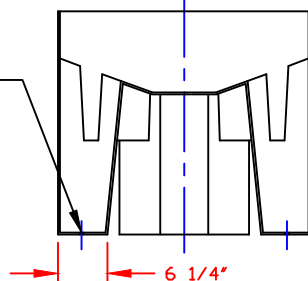
TANK AND STAND ASSEMBLY

NOTE:
 MUST USE FLEXIBLE CONNECTIONS ALL LOWER SIDEWALL FITTINGS



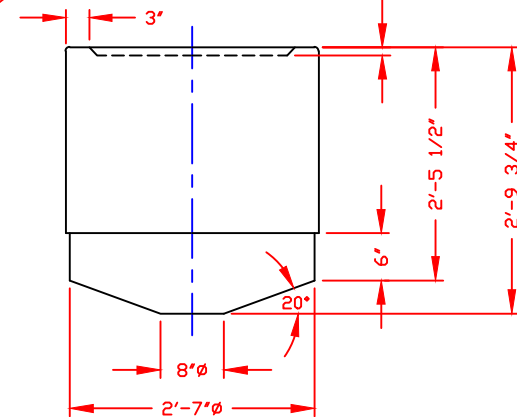
SECTION A-A

1/2" Ø HOLE (4) PL FOR DRAINAGE



SECTION B-B

STAND DETAILS



TANK DETAILS

CALCULATED CAPACITIES/ VOLUME IN U.S. GALLONS
DESIGN CAPACITY
101

CONFIDENTIAL PROPERTY OF
 POLY PROCESSING COMPANY
 NOT FOR REPRINT OR USE
 WITHOUT PERMISSION

- NOTES**
1. THIS IS A COMPUTER GENERATED DWG. DO NOT REVISE BY HAND.
 2. DIMENSION WILL VARY ±3% DUE TO VARIATIONS IN MULTIPLE MOLDS & CONDITIONS PREVALENT DURING MANUFACTURE & USAGE. TANK MAY SETTLE INTO STAND CAUSING VARIATIONS IN OVERALL HEIGHT DIMENSION.
 3. NO GALLONAGE MARKERS THIS TANK.

DWG TITLE			
100 GAL OPEN TOP 20° ALL PLASTIC CONE TANK W/STAND			
SCALE:	3/4"=1'-0"		Central Region P.O. Box 4136 2281 Old Shreveport Rd. Norcross, LA 71003 CEN 343-7543 FAX CEN 343-8735
DATE:	2/3/00		DR: MB WILKERSON
		CK: D. RECTOR	
		SHEET	COMPUTER FILE
		1 OF 1	4300100
			REV
			A

REV 'A' ADDED FITTING NOTE BY:JB 11/7/03 CK:MBW