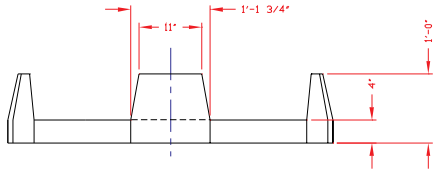
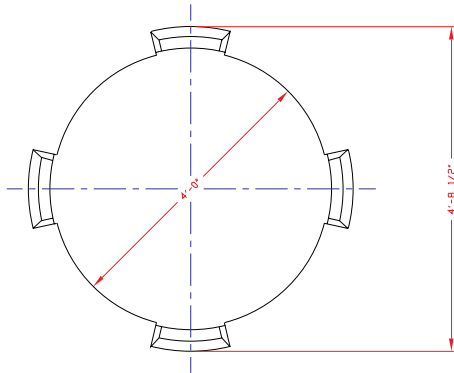


NON-CONTROLLED COPY
 INFORMATION SUBJECT TO CHANGE WITHOUT NOTICE
 COPY WILL NOT BE UPDATED

COPY ISSUED BY.....
 COPY ISSUED ON.....



NOTES

1. THIS IS A GENERATED COMPUTER DWG. DO NOT REVISE BY HAND.
2. DIMENSIONS WILL VARY ±3% DUE TO VARIATIONS IN MULTIPLE MOLDS & CONDITIONS PREVALENT DURING MANUFACTURE & USAGE.

CONFIDENTIAL PROPERTY OF
 POLY PROCESSING COMPANY
 NOT FOR REPRINT OR USE
 WITHOUT PERMISSION

DWG TITLE			
PAD FOR 4' OD IMFD TANK			
SCALE:	1" = 1'-0"		DR: MB WILKERSON
DATE:	11/19/99		CK: D. RECTOR
SHEET		COMPUTER FILE	REV
1 OF 1		8000004	-