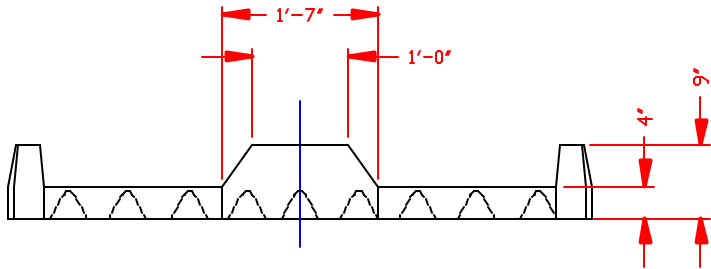
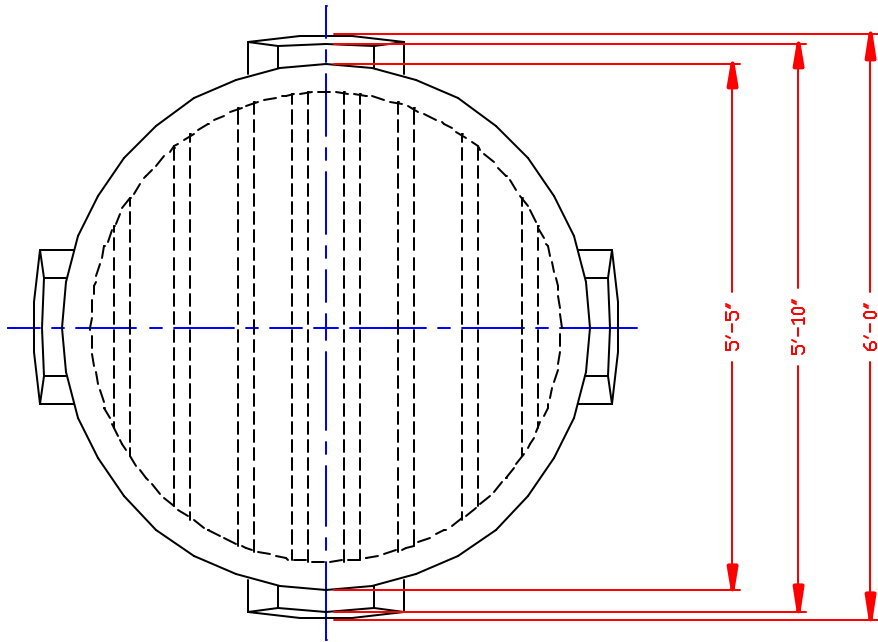


NON-CONTROLLED COPY INFORMATION SUBJECT TO CHANGE WITHOUT NOTICE COPY WILL NOT BE UPDATED	COPY ISSUED BY.....
	COPY ISSUED ON.....



NOTES

1. THIS IS A COMPUTER GENERATED DWG. DO NOT REVISE BY HAND.
2. DIMENSIONS WILL VARY ±3% DUE TO VARIATIONS IN MULTIPLE MOLDS & CONDITIONS PREVALENT DURING MANUFACTURE & USAGE.

CONFIDENTIAL PROPERTY OF
 POLY PROCESSING COMPANY
 NOT FOR REPRINT OR USE
 WITHOUT PERMISSION

DWG TITLE		PAD FOR 5'-4" OD IMFO TANK	
SCALE:	3/4"=1'-0"		DR: MB WILKERSON
DATE:	11/15/01		CHK: J. BRANTLEY
		SHEET	COMPUTER FILE
		1 OF 1	8000054 -