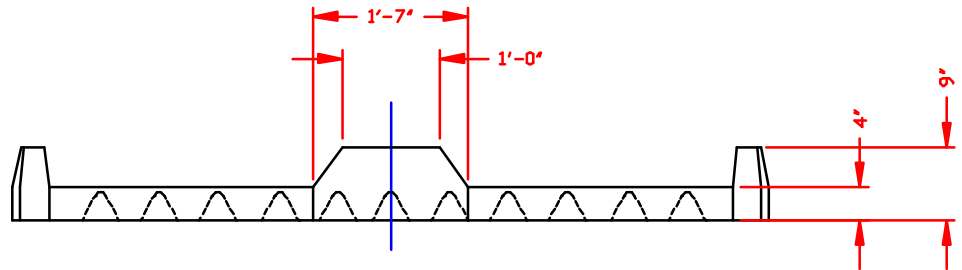
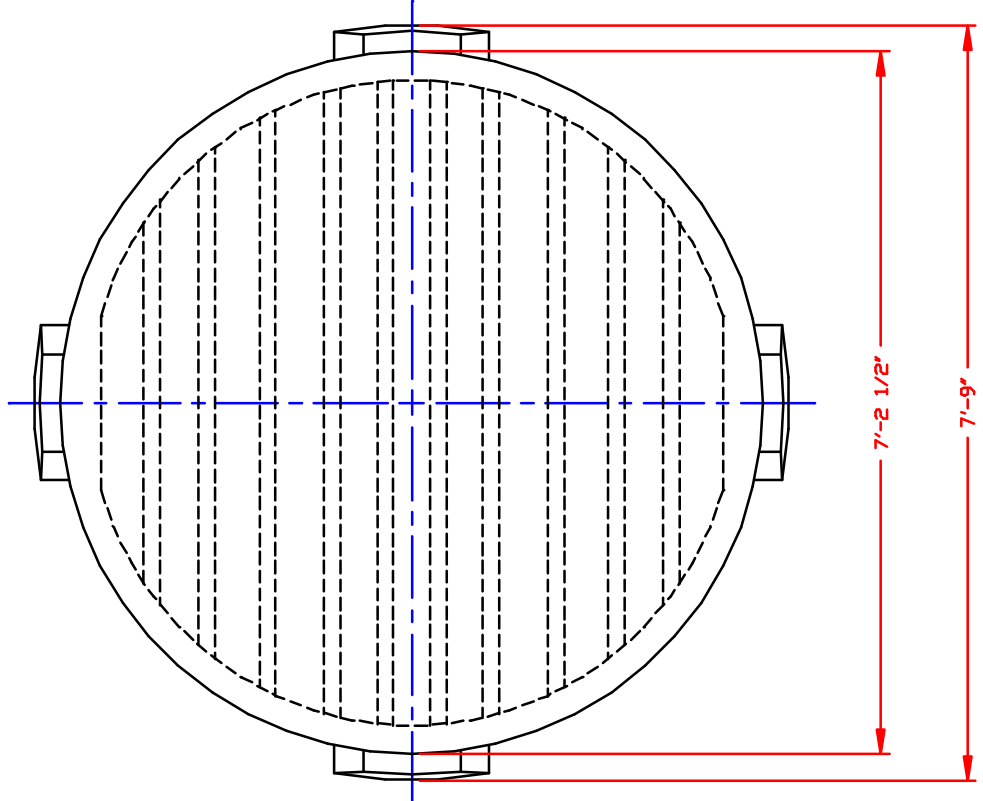


NON-CONTROLLED COPY INFORMATION SUBJECT TO CHANGE WITHOUT NOTICE COPY WILL <u>NOT</u> BE UPDATED	COPY ISSUED BY.....
	COPY ISSUED ON.....



NOTES
 1. THIS IS A COMPUTER GENERATED DWG. DO NOT REVISE BY HAND.
 2. DIMENSIONS WILL VARY ±3% DUE TO VARIATIONS IN MULTIPLE MOLDS & CONDITIONS PREVALENT DURING MANUFACTURE & USAGE.

CONFIDENTIAL PROPERTY OF
 POLY PROCESSING COMPANY
 NOT FOR REPRINT OR USE
 WITHOUT PERMISSION

DWG TITLE			
PAD FOR 7'-1" OD IMFO TANK			
SCALE:	3/4"=1'-0"		DR: MB WILKERSON
DATE:	9/1/00		CK: J. BRANTLEY
		SHEET	COMPUTER FILE
		1 OF 1	8000071 -