

EnviroPumpHouse™

Remote operation without concern

EnviroPumpHouse™ secure, contained pump facilities



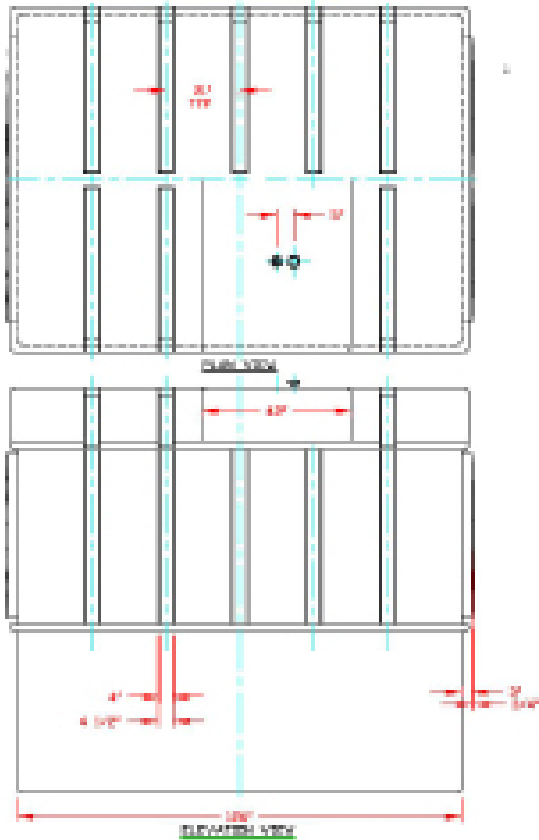
Poly's EnviroPumpHouse™ is a superior option for the municipality looking to reduce operational cost at their well sites and pump stations. Our system is made of durable, maintenance-free crosslinked polyethylene. We offer two self-contained systems with capacity up to 2000 gallons of storage. A storage system also has to be flexible; EnviroPumpHouse™ is designed to accommodate tanks, IBCs, totes and countless other equipment. The EnviroPumpHouse™ can include options such as insulation and secure access, all designed to provide you with worry free operation.

Contact Us at 877-325-3142 CA or 866-590-6845 LA

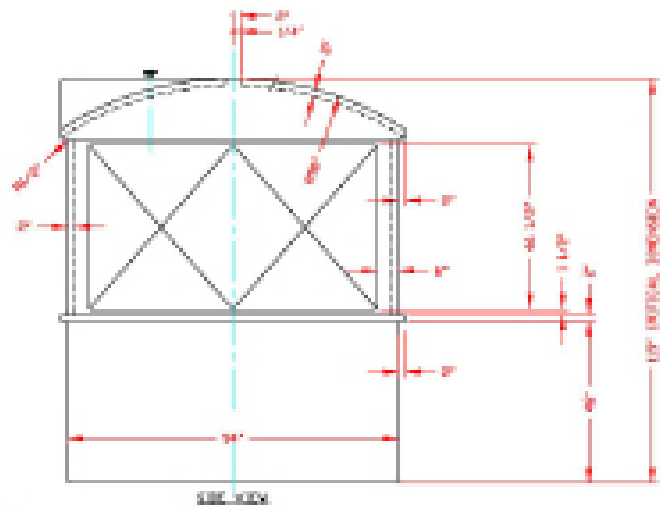
E-MAIL: SALES@POLYPROCESSING.COM


POLYPROCESSING
SOLUTIONS, SIMPLIFIED.

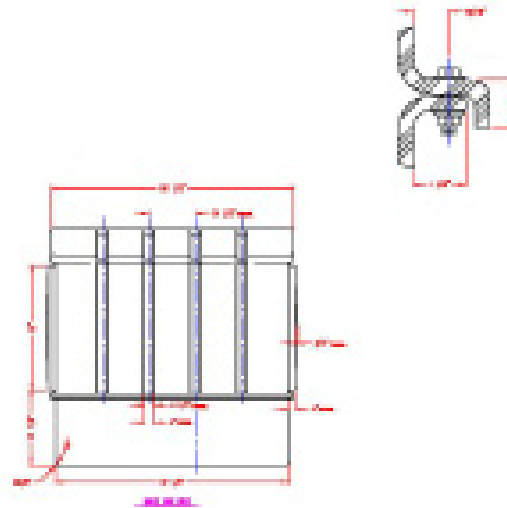
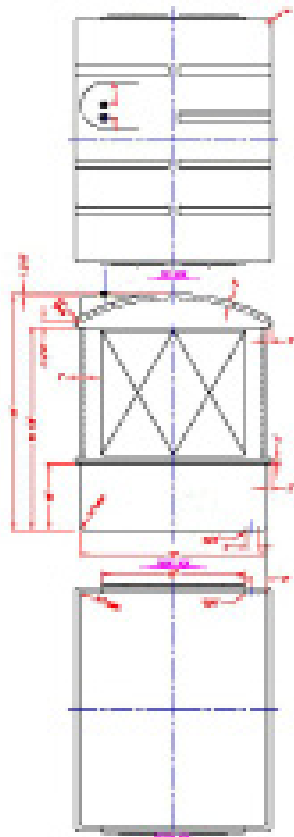
www.polyprocessing.com



EnviroPumpHouse™ 2000



EnviroPumpHouse™ 1000



Color options: Blue (as shown), Green, Natural PE, and Black