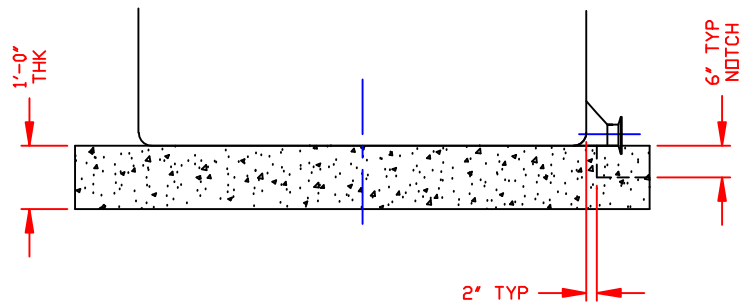
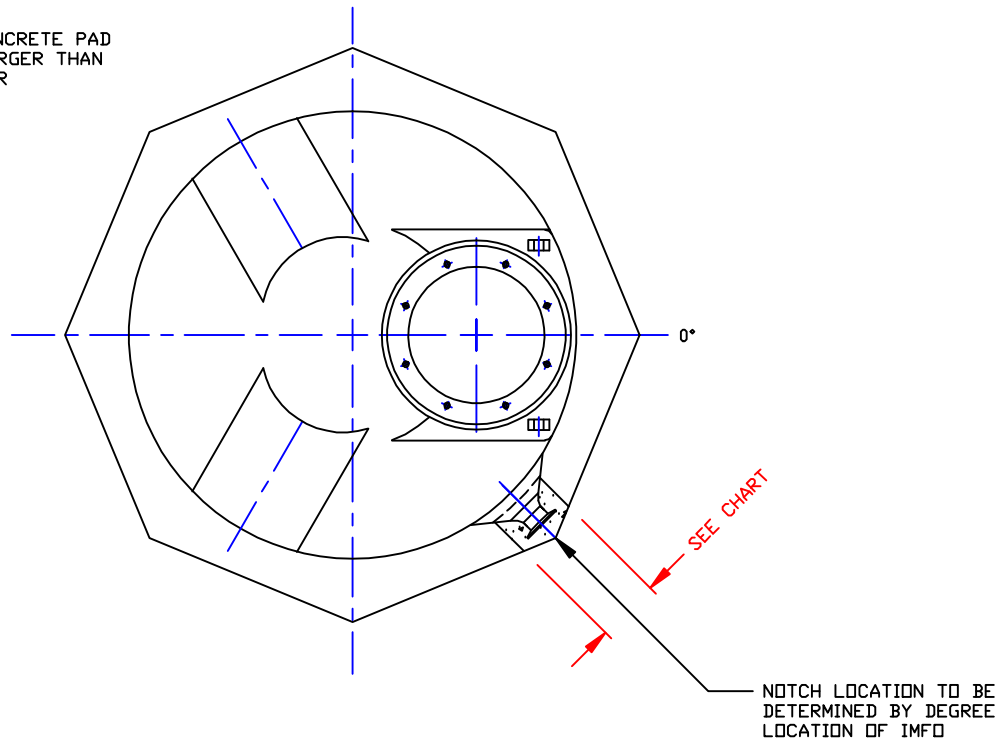



NOTE:
ELEVATED CONCRETE PAD
TO BE 24" LARGER THAN
TANK DIAMETER



NOTE:
NOTCH STARTS 2"
FROM TANK STRAIGHT WALL

NOTE:
DRAWING IS FOR DIMENSION REFERENCE ONLY
NOT INTENDED FOR FABRICATION

DVG TITLE			
OCTAGONAL CONCRETE IMFO PAD			
SCALE:	1/2"=1'-0"	 POLY PROCESSING SOLUTIONS. SIMPLIFIED.	DR:
DATE:	2/10/11		J, BRANTLEY
		<small>Central Region P.O. Box 4150 • 71551 2551 Old Shreveport Rd. Monroe, LA 70005 CEN 343-7563 FAX 338-343-9795</small>	CK:
			XXXX
		SHEET	COMPUTER FILE
		1 OF 1	IMFOPAD0CT
		REV	-