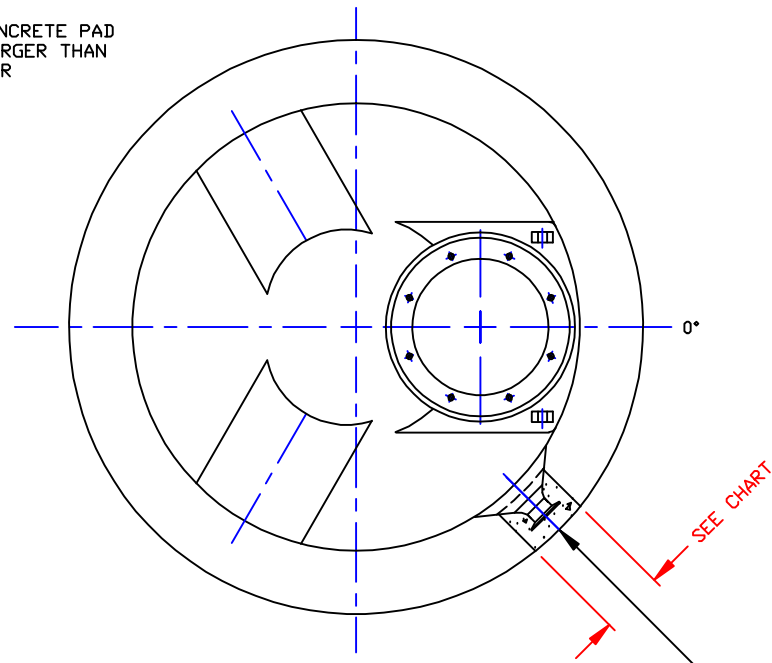
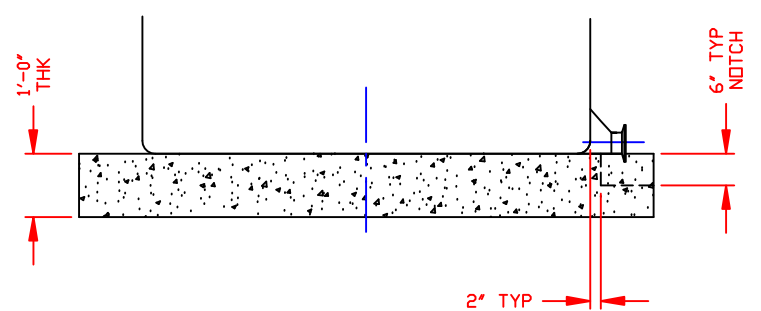


NOTE:
ELEVATED CONCRETE PAD
TO BE 24" LARGER THAN
TANK DIAMETER




NOTCH LOCATION TO BE
DETERMINED BY DEGREE
LOCATION OF IMFO



NOTE:
NOTCH STARTS 2"
FROM TANK STRAIGHT WALL

RECOMMENDATIONS:

NOTE:
DRAWING IS FOR DIMENSION REFERENCE ONLY
NOT INTENDED FOR FARICATION

DVG TITLE			
ROUND CONCRETE IMFO PAD			
SCALE:	1/2"=1'-0"	 POLY PROCESSING SOLUTIONS. SIMPLIFIED.	DR:
DATE:	1/24/11		J, BRANTLEY
		<small>Central Region P.O. Box 4530 • Metairie, LA 70002 Phone: 504-735-7800 CEN 343-7800 FAX 504-343-9795</small>	CK:
			XXXX
		SHEET	COMPUTER FILE
		1 OF 1	IMFOPADR
			REV
			-