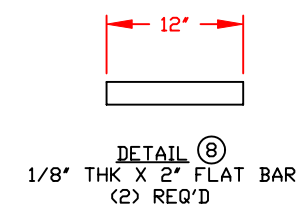
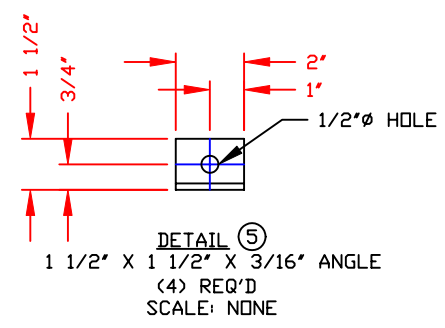
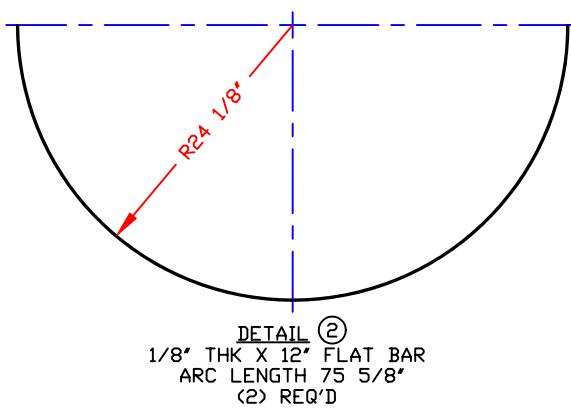
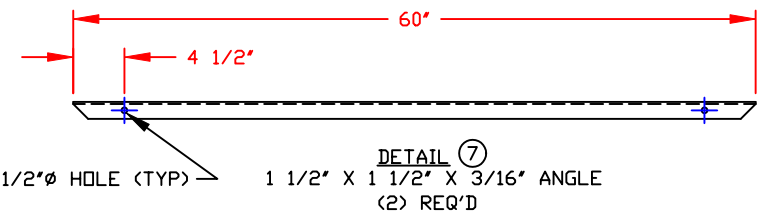
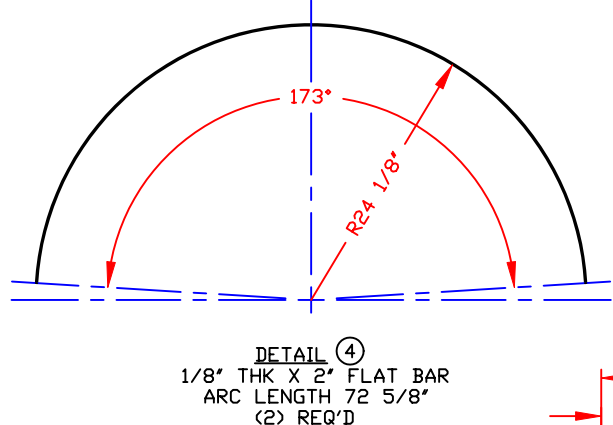
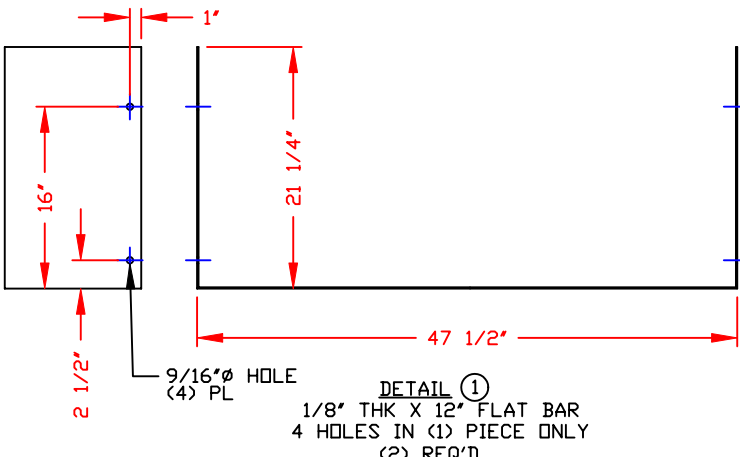


NOTES

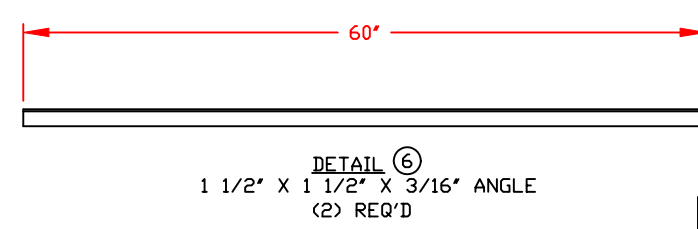
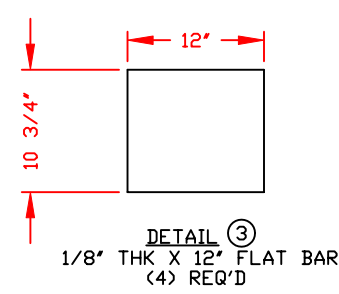
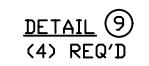
1. THIS IS A COMPUTER GENERATED DWG. DO NOT REVISE BY HAND.

CONFIDENTIAL PROPERTY OF
POLY PROCESSING COMPANY
NOT FOR REPRINT OR USE
WITHOUT PERMISSION

DWG TITLE			520 GALLON HORIZONTAL TANK SKID		
SCALE:	1"=12"		Central Region P.O. Box 4150 71211 2201 Old Sterlington Rd. Monroe, LA 71203 CIBD 343-7565 FAX CIBD 343-8795		DR: M WILKERSON
DATE:	4/26/01		CK: J. BRANTLEY		REV
SHEET			COMPUTER FILE	REV	
1 OF 2			M3456	-	



3/8-16 x 5" LG ALL TH'D BOLT - ZINC COATED
 W/(2) FLAT WASHERS
 W/(1) LOCK WASHER
 W/(1) 3/8-16 NUT



CONFIDENTIAL PROPERTY OF
 POLY PROCESSING COMPANY
 NOT FOR REPRINT OR USE
 WITHOUT PERMISSION

NOTES
 1. THIS IS A COMPUTER GENERATED DWG. DO NOT REVISE BY HAND.

DWG TITLE			
520 GALLON HORIZONTAL TANK SKID			
SCALE:	1"=12"		DR: M WILKERSON
DATE:	4/26/01		CK: J. BRANTLEY
		Central Region <small>P.O. Box 4150 71211 2201 Old Sherington Rd. Monroe, LA 71203 (504) 343-7565 FAX (504) 343-0795</small>	SHEET
			COMPUTER FILE
			REV
		2 OF 2	M3456 -